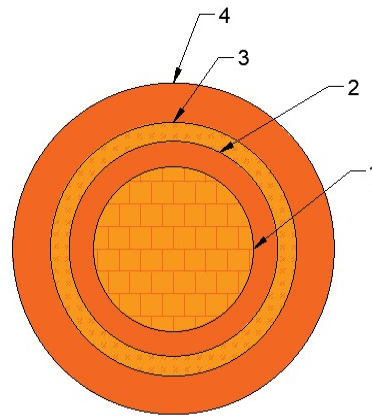


REV. 0	DESCRIPTION Initial release	DATE 8/20/2019
-----------	--------------------------------	-------------------

Color Code	
Insulation	Orange
Jacket	Orange


Use: Road Vehicle Applications



Item	Component	Description	Thickness				Dimensions						
			inch		mm		inch		mm				
			Nom	Min	Nom	Min	Nom	Tol	Nom	Tol			
1.	Conductor:	12.0mm ² 175/.29mm BC											
2.	Insulation	ERGO-FLEX-2	0.028	0.020	0.71	0.51	<D>	0.242	0.008	6.15	0.20		
3.	Braid:	Tinned Copper Braid, 95% Min Coverage						0.265		6.73	NA		
4.	Jacket:	ERGO-FLEX-2	0.031	0.024	0.78	0.61	<D>	0.327	0.012	8.30	0.30		

Print: CHAMPLAIN CABLE 12MM2 THIN WALL SHIELDED ERGOFLEX-2 ISO19642

Voltage Rating: 1000 VAC
 Temperature Range: -40° C to +150° C
 Meets Requirements of: ISO 19642-9 Class D Thin Wall
 Weight: 114.80 #/MFt Nom.
 Static Bend Radius: inches mm
 1.6 42

	TITLE			12.0mm ² ERGO-FLEX-2 Shielded Thin Wall ISO16942		
	Special Characteristics <S> Safety <D> Dimensional	DRN. Ricahrd Antic CKD.	DATE 8/20/2019			
DO NOT SCALE THIS DRAWING	SIZE A	PART NUMBER 15-08551-XXX	DOCUMENT NUMBER 18015			
The information on this drawing is the proprietary property of Champlain Cable Corporation, and may not be used, reproduced or disclosed to others, in whole or in part, without written authorization.			This is an uncontrolled preliminary drawing that requires validation of standards or conformances		PAGE 1 of 1	