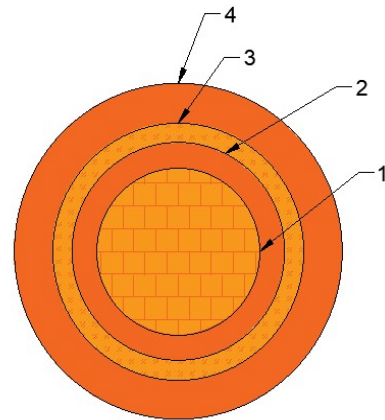


<b>REV.</b> 0	<b>DESCRIPTION</b> Initial release	<b>DATE</b> 4/25/2019
------------------	---------------------------------------	--------------------------

Color Code	
Insulation	Orange
Jacket	Orange


Use: Road Vehicle Applications



Item	Component	Description	Thickness				Dimensions				
			inch		mm		inch		mm		
			Nom	Min	Nom	Min	Nom	Tol	Nom	Tol	
1.	Conductor:	16.0mm <sup>2</sup> 224/.30mm BC						0.220	0.004	5.59	0.10
2.	Insulation	ERGO-FLEX-2	0.0238	0.021	0.60	0.53	<D>	0.268	0.010	6.80	0.25
3.	Braid:	Tinned Copper Braid, 95% Nom Coverage						0.288		7.31	NA
4.	Jacket:	ERGO-FLEX-2	0.0393	0.030	1.00	0.76	<D>	0.366	0.012	9.30	0.30

Print: CHAMPLAIN CABLE 16MM2 THIN WALL SHIELDED ERGOFLEX-2 ISO19642

**Voltage Rating**                    1000 Volts AC per ISO19642-9  
**Temperature Range:**            -40° C to +150° C  
**Meets Requirements of:**        ISO 19642 Class D Thin Wall,  
**Weight:**                            152.07                    #/Mft Nom.  
**Static Bend Radius:**            inches                    mm  
    1.8                            47

	<b>TITLE</b>		
	<b>16.0mm<sup>2</sup> ERGO-FLEX-2 Shielded Thin Wall ISO16942</b>		
Special Characteristics <S> Safety <D> Dimensional	DRN.	R. Trahan	DATE 4/25/2019
	CKD.		DATE
DO NOT SCALE THIS DRAWING	SIZE A	PART NUMBER 15-08528-001	DOCUMENT NUMBER 17783
The information on this drawing is the proprietary property of Champlain Cable Corporation, and may not be used, reproduced or disclosed to others, in whole or in part, without written authorization.		This is an uncontrolled preliminary drawing that requires validation of standards or conformance	PAGE 1 of 1