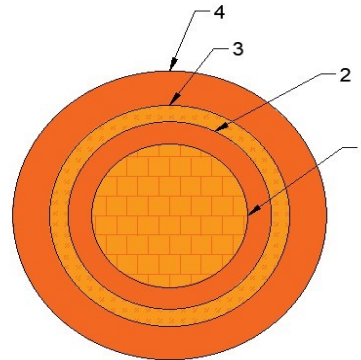


REV. 0	DESCRIPTION Initial release	DATE 8/20/2019
-----------	--------------------------------	-------------------


Color Code	
Insulation	Orange
Jacket	Orange

Use: Road Vehicle Applications



Item	Component	Description	Thickness				Dimensions						
			<>	inch		mm		<>	inch		mm		
				Nom	Min	Nom	Min		Nom	Tol	Nom	Tol	
1.	Conductor:	3.0mm <sup>2</sup> 44/.29mm BC											
2.	Insulation	EXRAD 150UT		0.021	0.015	0.52	0.38	<D>	0.085	0.005	2.16	0.13	0.10
3.	Braid:	Tinned Copper Braid, 95% Nom Coverage							0.126	0.004	3.20	0.10	0.10
4.	Jacket:	EXRAD Ergo-Flex 2		0.020	0.016	0.52	0.41	<D>	0.140		3.57	NA	0.20
				0.20					0.181	0.008	4.60	0.20	0.20

Voltage Rating: 600 VAC 900VDC  
 Temperature Range: -40° C to +150° C  
 Meets Requirements of: ISO 19642-9 Class D Thin Wall  
 Weight: 33.48 #/Mft Nom.  
 Static Bend Radius: inches mm  
 0.9 23

	TITLE			3.0mm <sup>2</sup> Shielded Thin Wall ISO19642		
	Special Characteristics <S> Safety <D> Dimensional	DRN. Richard Antic	DATE 8/20/2019	CKD. Jun Yi	DATE 10/4/2019	DOCUMENT NUMBER 18018
DO NOT SCALE THIS DRAWING	SIZE A	PART NUMBER 15-08548-XXX	The information on this drawing is the proprietary property of Champlain Cable Corporation, and may not be used, reproduced or disclosed to others, in whole or in part, without written authorization.			This is an uncontrolled preliminary drawing that requires validation of standards or conformance
					PAGE	1 of 1