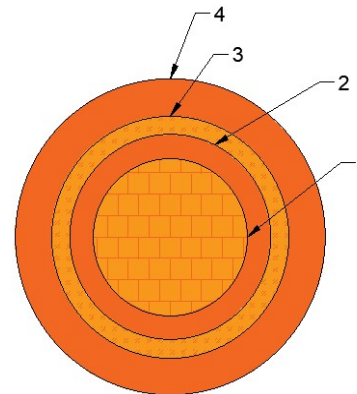


REV.	DESCRIPTION	DATE
0	Initial release	3/4/2019

Color Code	
Insulation	Orange
Jacket	Orange


Use: Road Vehicle Applications



Item	Component	Description	Thickness				Dimensions				
			inch		mm		inch		mm		
			Nom	Min	Nom	Min	Nom	Tol	Nom	Tol	
1.	Conductor:	50.0mm2 1615/.20mm BC						0.390	0.010	9.91	0.25
2.	Insulation	ERGO-FLEX-2	0.0333	0.030	0.85	0.76	<D>	0.457	0.010	11.60	0.25
3.	Braid:	Tinned Copper Braid, 95% Nom Coverage						0.482		12.24	NA
4.	Jacket:	ERGO-FLEX-2	0.0525	0.045	1.33	1.14	<D>	0.587	0.012	14.90	0.30

Print: CHAMPLAIN CABLE 50MM2 THIN WALL SHIELDED ERGOFLEX-2 ISO19642

Voltage Rating: 1000 Volts AC
 Temperature Range: -40° C to +150° C
 Meets Requirements of: ISO 19642 Class D Thin Wall
 Weight: 420.41 #/Mft Nom.
 Static Bend Radius: inches mm
 2.3 60

	TITLE			50.0mm2 ERGO-FLEX-2 Shielded Thin Wall ISO19642		
	DRN.	R. Trahan		DATE	3/4/2019	
Special Characteristics <S> Safety <D> Dimensional	CKD.			DATE		
DO NOT SCALE THIS DRAWING	SIZE A	PART NUMBER 15-08565-001	DOCUMENT NUMBER 17690			
The information on this drawing is the proprietary property of Champlain Cable Corporation, and may not be used, reproduced or disclosed to others, in whole or in part, without written authorization.				This is an uncontrolled preliminary drawing that requires validation of standards or conformance		PAGE 1 of 1