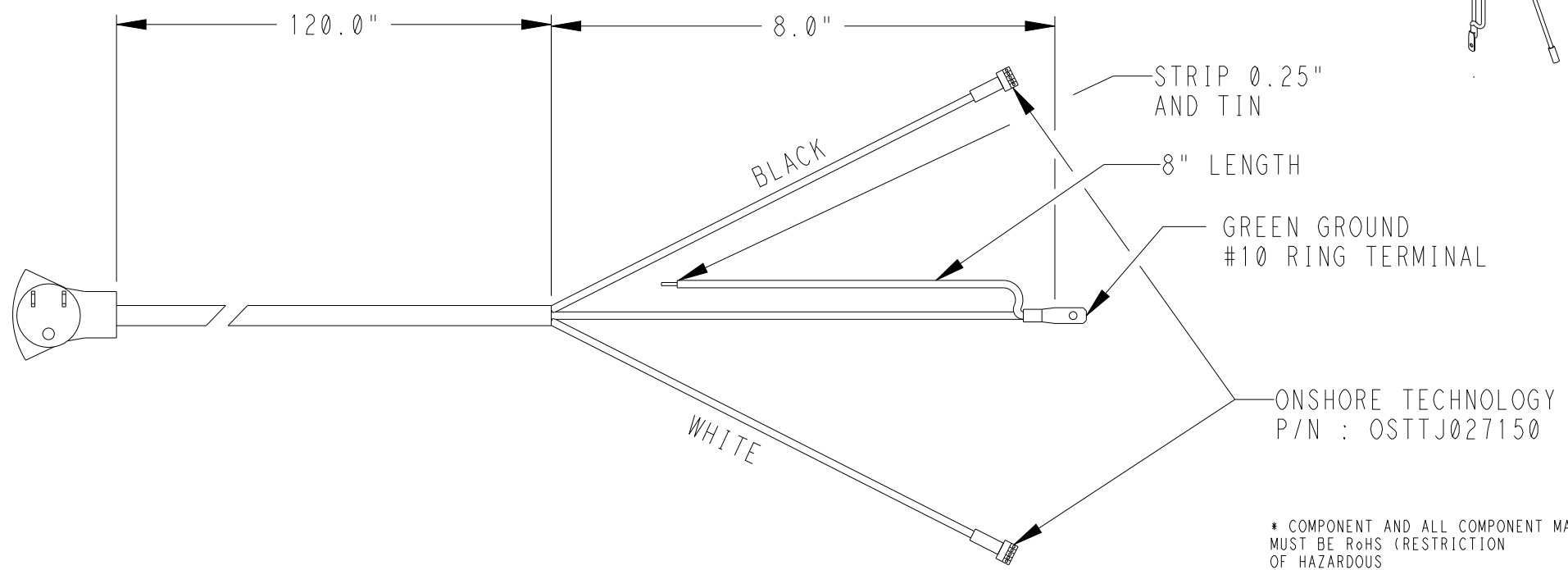
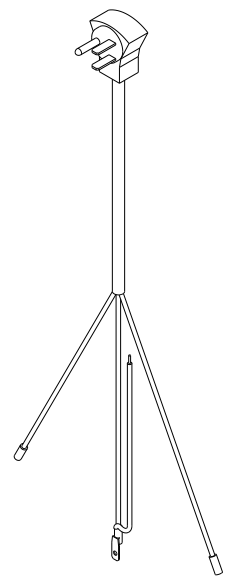


VENDOR : N/A  
VENDOR P/N : N/A

ALT VENDOR : N/A  
ALT VENDOR P/N : N/A

- NOTE:
- 1. PLUG : NEMA 5-15P AS SHOWN
  - 2. CERTIFICATIONS :
  - 3. WIRE : #14-3 TYPE SJTO RATED 60° C, 2 CONDUCTORS W/GROUND
  - 4. TOLERANCES : CORD LENGTH ±4", INDIVIDUAL WIRE LENGTH: ±1"
  - 5. ALL PACKAGING MUST BE MARKED ACCORDINGLY
  - 6. BARCODE LABEL TYPE-1 PER M-16032.00004 ON GROUND LEAD, 2" FROM THE TERMINAL
  - 7. CORD AND PLUG CAP ASSEMBLY MUST BE UL LISTED AND CSA CERTIFIED



\* COMPONENT AND ALL COMPONENT MATERIALS MUST BE RoHS (RESTRICTION OF HAZARDOUS SUBSTANCES) COMPLIANT. SPECIFIC SUBSTANCES ARE:  
-LEAD  
-MERCURY  
-CADMIUM  
-HEXAVALENT CHROMIUM  
-POLYBROMINATED BIPHENYLS (PBB)  
-POLYBROMINATED DIPHENYL ETHERS (PBDE)

◇
TOLERANCE UNLESS SPECIFIED
X.XX = ± 0.010 / X.XXX = ± 0.005 / ANG ± 1.0°

2187233

REV 3

CORD/PLUG, 5-15P, 14-3

PURCHASED