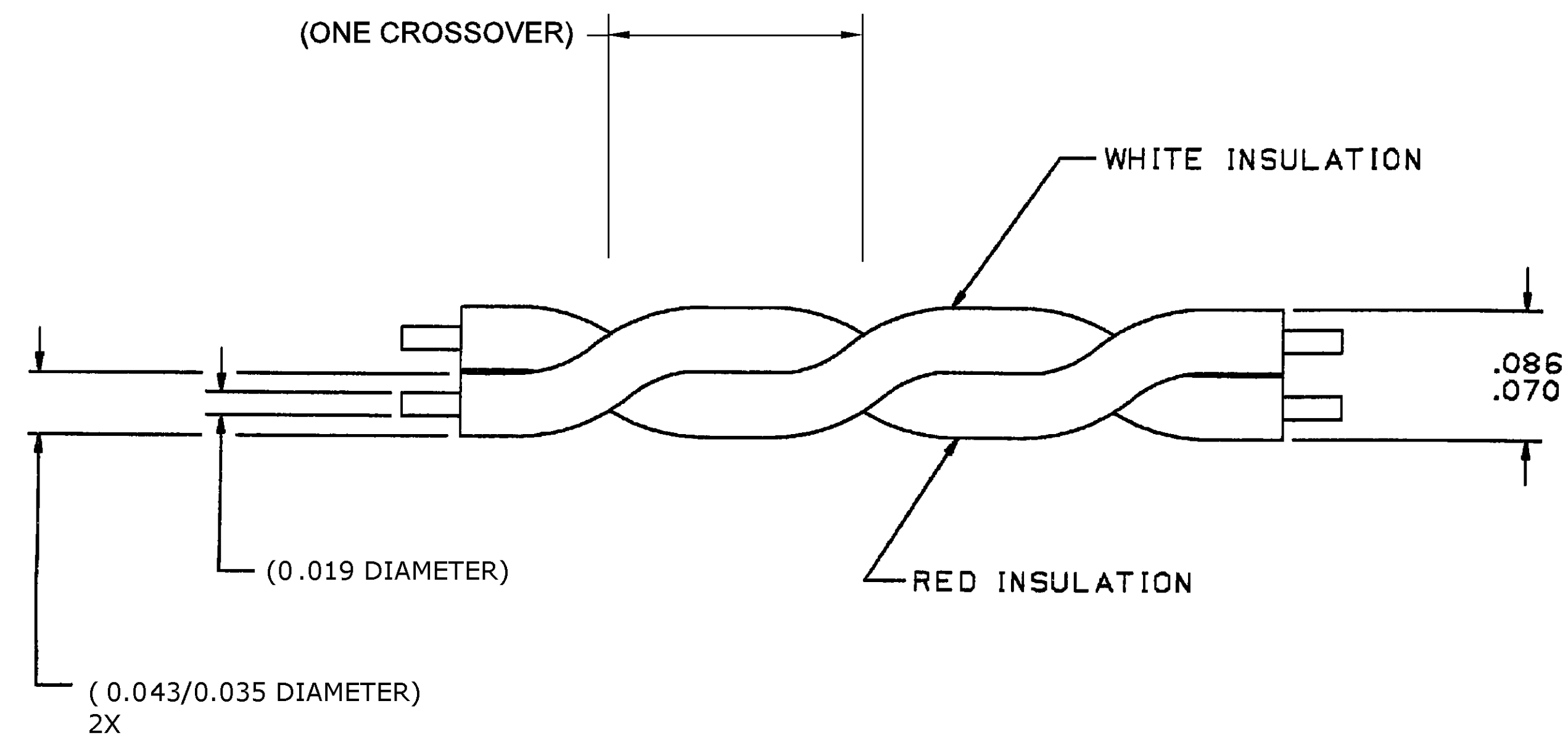


DWG. NO. 11463345		SH 1		1	
REVISIONS					
ZONE	REV	DESCRIPTION	DATE	APPROVED	
	-		84 3 8		
	A	REDRAWN AND REVISED SEE ECP MI-J7653 NOR 1	91 10 4	<i>[Signature]</i>	
	B	SEE MI-N4400	JEP 06-03-30	CRQ	
	C	SEE MI-R1679	MFM 16-06-29	LT	
	D	SEE MI-T0440	RA 20-07-09	CB	



NOTES - UNLESS OTHERWISE SPECIFIED:

1. THE PART DESCRIBED HEREIN SHALL BE IN ACCORDANCE WITH THE LATEST ISSUE IN EFFECT OF ANSI / NEMA HP3 AND AS SPECIFIED HEREIN
2. PART DESCRIPTION:  
 MATERIAL: HP3-EXBDB9 AND HP3-EXBDB2  
 MAKE FROM  
 DC RESISTANCE (OHMS PER 1000 FT): 40.5 OHMS MAX  
 CONSTRUCTION:  
 DIELECTRIC CONSTANT: 2.1  
 COLOR: ONE WHITE AND ONE RED  
 TWIST: LAY DIRECTION OPTIONAL, 3-5 CROSSOVERS/INCH  
 OPERATING VOLTAGE: 500 VOLTS RMS MAXIMUM  
 IMPEDANCE: 130 OHMS ± 10 OHMS AT 1.0 MHZ REFERENCE.  
 WHEN MEASURED IN FREE AIR USING MUTUAL CAPACITANCE AND DELAY IN NSEC/FT. OR WHEN MEASURED IN FREE AIR OVER A MINIMUM LENGTH OF TEN FEET WHERE THE IMPEDANCE EQUALS [1016\* SQRT (DIELECTRIC CONSTANT OF WIRE INSULATION)] / AVERAGE CAPACITANCE PER FOOT (in pF).  
 TWISTED PAIR DC RESISTANCE (OHMS PER 1000 FT): 56 OHMS MAX
3. IDENTIFICATION MARKING: IDENTIFY IN ACCORDANCE WITH MIL -STD-130. DO NOT MARK THE PART
4. DELETED

DISTRIBUTION STATEMENT D: DISTRIBUTION AUTHORIZED TO THE DEPARTMENT OF DEFENSE AND U.S. DOD CONTRACTORS ONLY, ADMINISTRATIVE OR OPERATIONAL USE AND EXPORT CONTROLLED, 05/14/20. OTHER REQUESTS SHALL BE REFERRED TO PROJECT MANAGER, PEO MISSILES AND SPACE, ATTN: SFAE-MSL-LTE, BUILDING 6250, MARTIN ROAD, REDSTONE ARSENAL, AL 35898-8000.

WARNING - THIS DOCUMENT CONTAINS TECHNICAL DATA WHOSE EXPORT IS RESTRICTED BY THE ARMS EXPORT CONTROL ACT (TITLE 22, U.S.C., SEC 2751, ET SEQ.) OR THE EXPORT ADMINISTRATION ACT OF 1979 (TITLE 50, U.S.C., APP. 2401 ET SEQ.), AS AMENDED. VIOLATIONS OF THESE EXPORT LAWS ARE SUBJECT TO SEVERE CRIMINAL PENALTIES. DISSEMINATE IN ACCORDANCE WITH PROVISIONS OF DOD DIRECTIVE 5230.25.

COMPUTERIZED DATA BASE  
PREPARED DRAWING - RASTER

INTERPRET DRAWING IN ACCORDANCE WITH DOD-STD-100, ANSI Y14.5M-1982

UNLESS OTHERWISE SPECIFIED DIMENSIONS ARE IN INCHES TOLERANCES: FRACTIONS ± ANGLES ± 3 PLACE DECIMALS ± 2 PLACE DECIMALS ±		RAYTHEON COMPANY WALTHAM, MA 02451		PART NO. 11463345	
MATERIAL		CONTRACT NO. DAAH01-84-C-A028		U.S. ARMY AVIATION AND MISSILE COMMAND REDSTONE ARSENAL, HUNTSVILLE, AL 35898-7462	
NOTE 2		DATE 84-3-8		WIRE, TWO CONDUCTOR, TWISTED	
		PREPARED M.W. 84-3-8			
		CHECKED N.R. 84-3-8			
		ENGINEER		SIZE CAGE CODE DRAWING NO.	
		SUBMITTED		D 18876 11463345	
11455267 PATRIOT		APPROVED BY ORDER OF COMMANDER USAMICOM A. HAYNES		SCALE NONE UNIT WT CALC LB SHEET 1 OF 1	
NEXT ASSY USED ON					
APPLICATION					