

1) CONSTRUCTION:		NOM. DIA.
CONDUCTOR:	24 AWG 7/32 STRANDED TINNED COPPER	.024"
INSULATION:	SEMI-RIGID POLYVINYLCHLORIDE, .010" NOM. WALL THICKNESS	.044"
PAIRS:	COLOR CODED SINGLES TWISTED INTO PAIRS	.088"
CABLE:	(5) TWISTED PAIRS TWISTED TOGETHER TO FORM A CABLE CORE.	.203"
SHIELD:	AN OVERALL ALUMINIZED POLYESTER FOIL SHIELD (FOIL OUT, 100% COVERAGE) SHALL BE APPLIED OVER THE CABLE CORE AND SHALL CONTAIN A 24 AWG 7/32 STRANDED TINNED COPPER DRAIN WIRE IN CONTACT WITH THE METALIZED SURFACE. A SECOND SHIELD OF 36 AWG TINNED COPPER BRAID (65% COVERAGE) SHALL BE APPLIED OVER THE FOIL SHIELD.	.229"
JACKET:	POLYVINYLCHLORIDE, CHROME GRAY, .032" NOM. WALL THICKNESS	.293"
	OVERALL CABLE DIAMETER	

2) PHYSICAL PROPERTIES:	
TEMPERATURE RATING, MAX.	60°C, 75°C & 80°C
TEMPERATURE RATING, MIN.	-20°C
WT./M', NOM., NET.	46.5 LBS.

3) ELECTRICAL CHARACTERISTICS:	
CAPACITANCE, MUTUAL, NOM.	30 PF/FT.
CAPACITANCE, GROUNDED, NOM.	50 PF/FT.
DIELECTRIC WITHSTANDING, MIN	1500V RMS
VOLTAGE RATING, MAX.	300 V
D.C. RESISTANCE, MAX. PER ASTM B286	26.2 Ω/1000'

- 4) AGENCY APPROVALS:
- NEC (UL) TYPE CM
  - UL AWM STYLE 2464
  - CSA TYPE CMG
  - CSA CUS TYPE CMG
  - MEETS VW-1 FLAME TEST

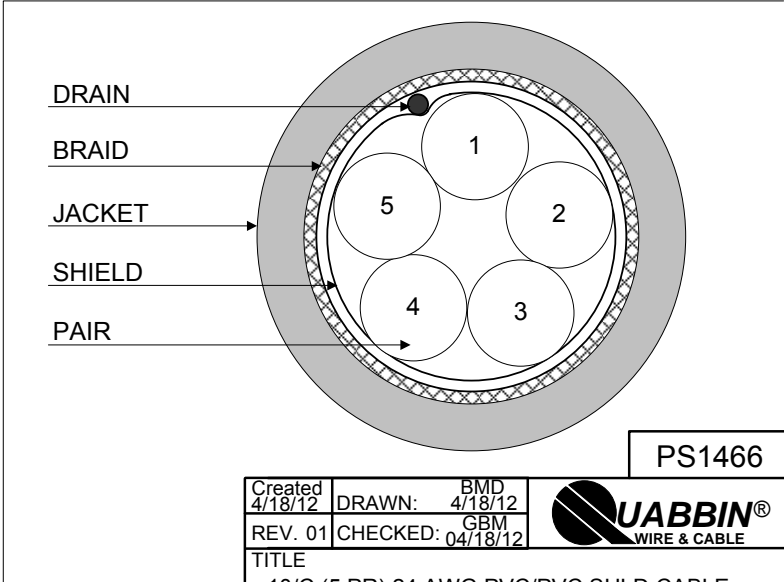
5) APPLICATION:  
RoHS COMPLIANT MATERIALS

6) PRINT:  
QUABBIN P/N **XXXXX** (UL) TYPE CM 24 AWG SHIELDED OR AWM 2464 VW-1 -- CSA LL51726 TYPE CMG CUS 24 AWG 75C -- RoHS -- **(LOT DESIGNATOR)**

NOTE: **XXXXX** WILL BE QWC'S 5 DIGIT P/N TO BE DETERMINED AT TIME OF ORDER.

- 7) COLOR CODE:
1. BLUE/WHITE X WHITE/BLUE
  2. ORANGE/WHITE X WHITE/ORANGE
  3. GREEN/WHITE X WHITE/GREEN
  4. BROWN/WHITE X WHITE/BROWN
  5. GRAY/WHITE X WHITE/GRAY

8) PACKAGING:  
TO BE PACKAGED AS PER QWC'S STANDARD PACKAGING



PS1466

Created 4/18/12	DRAWN: BMD 4/18/12
REV. 01	CHECKED: GBM 04/18/12



TITLE  
10/C (5 PR) 24 AWG PVC/PVC SHLD CABLE -- TYPE CM, STYLE 2464, TYPE CSA CMG CUS

PRELIMINARY SPECIFICATION IS FOR DESIGN REVIEW PURPOSES ONLY. A PRODUCT SPECIFICATION WITH A QWC PERMANENT PART NUMBER WILL BE PROVIDED FOR CUSTOMER SIGNATURE BEFORE AN ORDER WILL BE ACCEPTED.