

321872 ✓ ACTIVE

SOLISTRAND

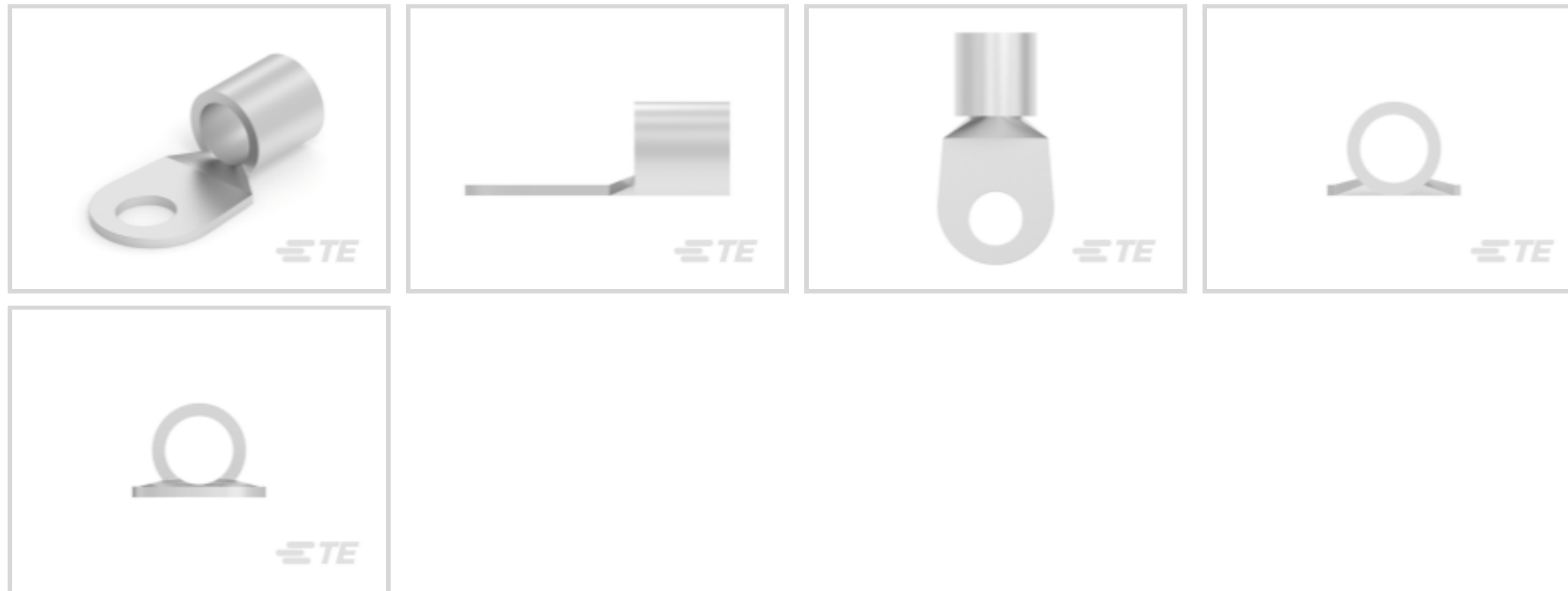
TE Internal #: 321872

Closed Ring Tongue Terminal, 2/0 AWG, 7/16 Stud Size, 11.51 mm [.453 in] Stud Diameter, Closed Barrel, Straight, Tin, Uninsulated

[View on TE.com >](#)



Terminals & Splices > Ring Terminals



Ring Terminal Product Type: Closed Ring Tongue Terminal

Wire Size: 119500 – 150500 CMA

Stud Size: 7/16

### Features

#### Configuration Features

Number of Holes	2
-----------------	---

#### Body Features

Product Weight	29.771 g
----------------	----------

#### Mechanical Attachment

Wire Insulation Support	Without
-------------------------	---------

#### Industry Standards

Government Qualified Terminal	No
-------------------------------	----

#### Packaging Features

Packaging Quantity	50
--------------------	----

Packaging Method	Loose Piece
------------------	-------------

#### Product Type Features

Ring Terminal Product Type	Closed Ring Tongue Terminal
----------------------------	-----------------------------

Stud Size	7/16
-----------	------

Sealable	No
----------	----

Wire Insulation Support Retention Type	Insulation Support
--	--------------------

### Contact Features

Barrel Type	Closed
Terminal Orientation	Straight
Terminal Plating Material	Tin

### Dimensions

Wire Size	119500 – 150500 CMA
Stud Diameter	11.51 mm [.453 in]
Tongue Thickness	.79 mm [.031 in]
Product Length	49.73 mm [1.96 in]
Barrel Inside Diameter	12.8 mm [.504 in]

### Usage Conditions

Insulation Option	Uninsulated
Operating Temperature Range	170 °C [338 °F]

### Operation/Application

Compatible With Wire Base Material	Copper
Compatible With Wire Plating Material	Tin

### Other

EU RoHS Compliance	Compliant
EU ELV Compliance	Compliant

### Product Compliance

[For compliance documentation, visit the product page on TE.com>](#)

EU RoHS Directive 2011/65/EU	Compliant
EU ELV Directive 2000/53/EC	Compliant
China RoHS 2 Directive MIIT Order No 32, 2016	No Restricted Materials Above Threshold
EU REACH Regulation (EC) No. 1907/2006	Current ECHA Candidate List: JUNE 2024 (241) Candidate List Declared Against: JUNE 2024 (241) Does not contain REACH SVHC
Halogen Content	Low Halogen - Br, Cl, F, I < 900 ppm per homogenous material. Also BFR/CFR/PVC Free
Solder Process Capability	Not applicable for solder process capability

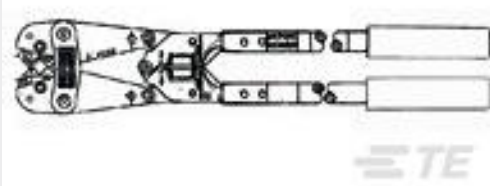
Product Compliance Disclaimer

This information is provided based on reasonable inquiry of our suppliers and represents our current actual knowledge based on the information they provided. This information is subject to change. The part numbers that TE has identified as EU RoHS compliant have a maximum concentration of 0.1% by weight in homogenous materials for lead, hexavalent chromium, mercury, PBB, PBDE, DBP, BBP, DEHP, DIBP, and 0.01% for cadmium, or qualify for an exemption to these limits as defined in the Annexes of Directive 2011/65/EU (RoHS2). Finished electrical and electronic equipment products will be CE marked as required by Directive 2011/65/EU. Components may not be CE marked. Additionally, the part numbers that TE has identified as EU ELV compliant have a maximum concentration of 0.1% by weight in homogenous materials for lead, hexavalent chromium, and mercury, and 0.01% for cadmium, or qualify for an exemption to these limits as defined in the Annexes of Directive 2000/53/EC (ELV). Regarding the REACH Regulation, the information TE provides on SVHC in articles for this part number is based on the latest European Chemicals Agency (ECHA) 'Guidance on requirements for substances in articles' posted at this URL: <https://echa.europa.eu/guidance-documents/guidance-on-reach>

### Compatible Parts



TE Part # 45439  
HYP8/10 SOLIS 2/0AWG DIE SET




TE Part # 600850  
ROTO-CRIMP TOOL (ASI)



TE Part # 1490413-6  
HYP10 SOLIS 2/0AWG NEST



TE Part # 48133  
HYP8 SOLIS 2/0AWG NEST



TE Part # 48131  
HYP8 SOLIS 1/0-4/0AWG INDENTER



TE Part # 1490414-3  
HYP10 SOLIS HD 1/0AWG INDENTER

### Customers Also Bought



TE Part #35184  
TERMINAL,SOLIS R 2 3/8



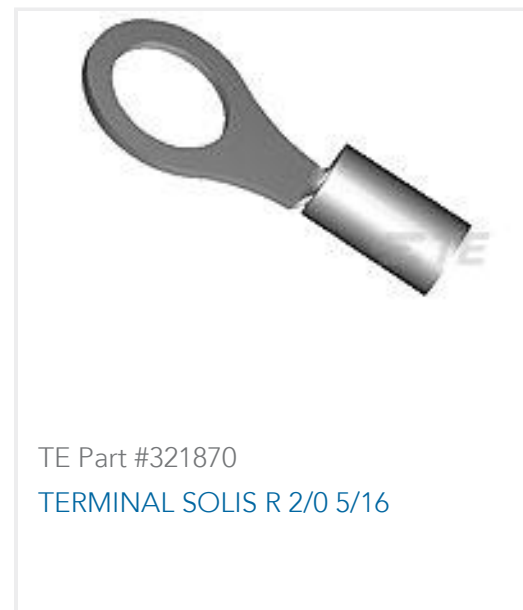
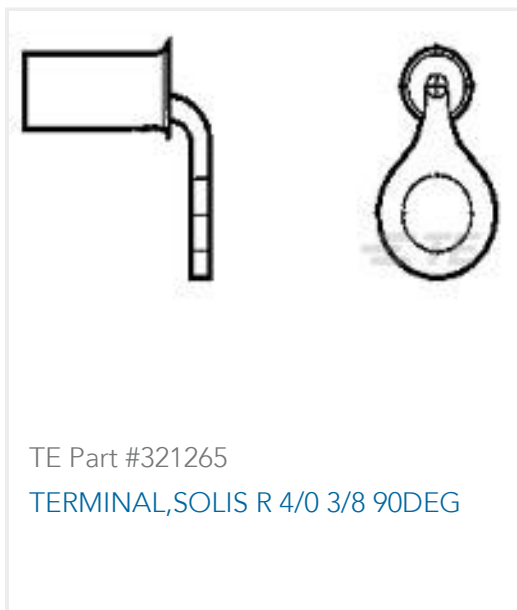
TE Part #35185  
TERMINAL,SOLIS R 2 1/2



TE Part #322906  
TERMINAL,SOLIS R 90DEG 1/0 3/8



TE Part #36916  
TERMINAL,SOLIS R 1/0 5/16



## Documents

### Product Drawings

[TERMINAL,SOLIS R 2/0 7/16](#)

English

### CAD Files

Customer View Model

[ENG\\_CVM\\_CVM\\_321872\\_AE.2d\\_dxf.zip](#)

English

Customer View Model

[ENG\\_CVM\\_CVM\\_321872\\_AE.3d\\_stp.zip](#)

English

Customer View Model

[ENG\\_CVM\\_CVM\\_321872\\_AE.3d\\_igs.zip](#)

English

### 3D PDF

3D

By downloading the CAD file I accept and agree to the [Terms and Conditions](#) of use.

### Instruction Sheets

[Instruction Sheet \(U.S.\)](#)

English

### Agency Approvals

[UL Report](#)

English

[UL Report](#)

English

321872

Closed Ring Tongue Terminal, 2/0 AWG, 7/16 Stud Size, 11.51 mm [.453 in] Stud Diameter, Closed Barrel, Straight, Tin, Uninsulated

