

321878 ✓ ACTIVE

SOLISTRAND

TE Internal #: 321878

Closed Ring Tongue Terminal, 4/0 AWG, 3/8 Stud Size, 9.53 mm / 9.91 mm [.39 in] Stud Diameter, Closed Barrel, Straight, Tin, Uninsulated

[View on TE.com >](#)



Terminals & Splices > Ring Terminals



Ring Terminal Product Type: Closed Ring Tongue Terminal

Wire Size: 190000 – 231100 CMA

Stud Size: 3/8

Features

Configuration Features

Number of Holes	2
-----------------	---

Body Features

Product Weight	55.108 g
----------------	----------

Mechanical Attachment

Wire Insulation Support	Without
-------------------------	---------

Industry Standards

Government Qualified Terminal	No
-------------------------------	----

Packaging Features

Packaging Quantity	50
Packaging Method	Loose Piece

Product Type Features

Ring Terminal Product Type	Closed Ring Tongue Terminal
Stud Size	3/8
Sealable	No
Wire Insulation Support Retention Type	Insulation Support

Contact Features

Barrel Type	Closed
Terminal Orientation	Straight
Terminal Plating Material	Tin
Contact Underplating Material	Copper

Dimensions

Wire Size	190000 – 231100 CMA
Stud Diameter	9.53 mm, 9.91 mm [.39 in]
Tongue Thickness	.79 mm [.031 in]
Product Length	55.32 mm [2.178 in]
Barrel Inside Diameter	16.13 mm [.635 in]

Usage Conditions

Insulation Option	Uninsulated
Operating Temperature Range	170 °C [338 °F]

Operation/Application

Compatible With Wire Base Material	Copper
Compatible With Wire Plating Material	Tin

Other

EU RoHS Compliance	Compliant
EU ELV Compliance	Compliant

Product Compliance

[For compliance documentation, visit the product page on TE.com>](#)

EU RoHS Directive 2011/65/EU	Compliant
EU ELV Directive 2000/53/EC	Compliant
China RoHS 2 Directive MIIT Order No 32, 2016	No Restricted Materials Above Threshold
EU REACH Regulation (EC) No. 1907/2006	Current ECHA Candidate List: JUNE 2024 (241) Candidate List Declared Against: JUNE 2024 (241) Does not contain REACH SVHC
Halogen Content	Low Halogen - Br, Cl, F, I < 900 ppm per homogenous material. Also BFR/CFR/PVC Free



Solder Process Capability

Not applicable for solder process capability

Product Compliance Disclaimer

This information is provided based on reasonable inquiry of our suppliers and represents our current actual knowledge based on the information they provided. This information is subject to change. The part numbers that TE has identified as EU RoHS compliant have a maximum concentration of 0.1% by weight in homogenous materials for lead, hexavalent chromium, mercury, PBB, PBDE, DBP, BBP, DEHP, DIBP, and 0.01% for cadmium, or qualify for an exemption to these limits as defined in the Annexes of Directive 2011/65/EU (RoHS2). Finished electrical and electronic equipment products will be CE marked as required by Directive 2011/65/EU. Components may not be CE marked. Additionally, the part numbers that TE has identified as EU ELV compliant have a maximum concentration of 0.1% by weight in homogenous materials for lead, hexavalent chromium, and mercury, and 0.01% for cadmium, or qualify for an exemption to these limits as defined in the Annexes of Directive 2000/53/EC (ELV). Regarding the REACH Regulation, the information TE provides on SVHC in articles for this part number is based on the latest European Chemicals Agency (ECHA) 'Guidance on requirements for substances in articles' posted at this URL: <https://echa.europa.eu/guidance-documents/guidance-on-reach>

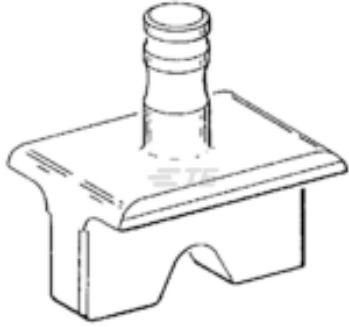
Compatible Parts



TE Part # 48131
 HYP8 SOLIS 1/0-4/0AWG INDENTER



TE Part # 1490414-3
 HYP10 SOLIS HD 1/0AWG INDENTER



TE Part # 300430
 HYP8 SOLIS 4/0AWG NEST



TE Part # 1490413-8
 HYP10 SOLIS 4/0AWG NEST

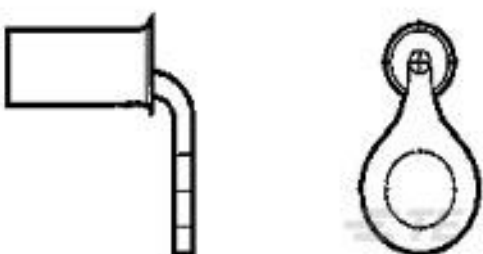


TE Part # 45445
 HYP8/10 SOLIS 4/0AWG DIE SET

Customers Also Bought



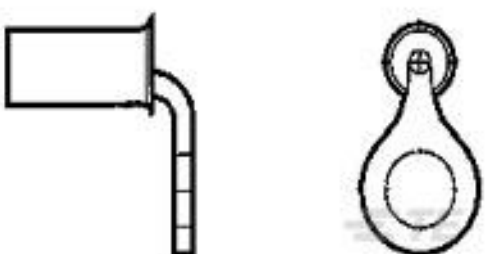
TE Part #35185
 TERMINAL,SOLIS R 2 1/2



TE Part #322906
 TERMINAL,SOLIS R 90DEG 1/0 3/8



TE Part #36916
 TERMINAL,SOLIS R 1/0 5/16



TE Part #321265
 TERMINAL,SOLIS R 4/0 3/8 90DEG



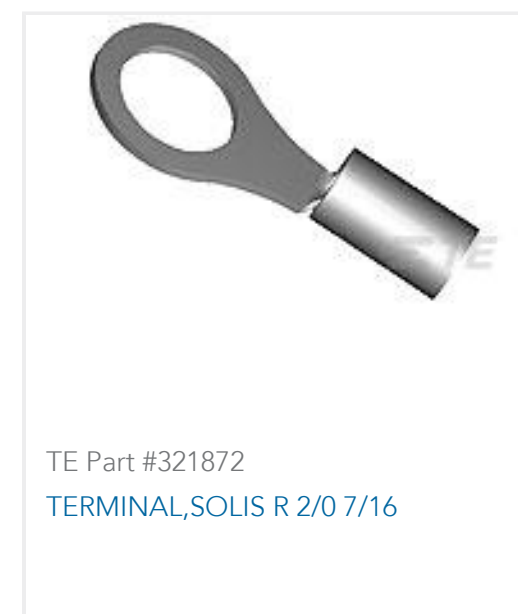
TE Part #2822366-1
[.070 ECONOSEAL PLUG ASSY 3P](#)



TE Part #321870
[TERMINAL SOLIS R 2/0 5/16](#)



TE Part #320383
[TERMINAL, SOLIS R 2 1/4](#)



TE Part #321872
[TERMINAL, SOLIS R 2/0 7/16](#)



TE Part #321875
[TERMINAL, SOLIS R 3/0 3/8](#)



TE Part #1-66473-7
[SKT, .062 DIA, .045 SQ POST, LP](#)

Documents

Product Drawings

[TERMINAL, SOLIS R 4/0 3/8](#)

English

CAD Files

[3D PDF](#)

3D

Customer View Model

[ENG_CVM_CVM_321878_U.2d_dxf.zip](#)

English

Customer View Model

[ENG_CVM_CVM_321878_U.3d_igs.zip](#)

English

Customer View Model

[ENG_CVM_CVM_321878_U.3d_stp.zip](#)

English

[3D PDF](#)

English

Customer View Model

[ENG_CVM_321878_H.3d_igs.zip](#)

English

Customer View Model

[ENG_CVM_321878_H.3d_stp.zip](#)

English

Customer View Model

[ENG_CVM_321878_H.2d_dxf.zip](#)

English

321878

Closed Ring Tongue Terminal, 4/0 AWG, 3/8 Stud Size, 9.53 mm / 9.91 mm [.39 in]
Stud Diameter, Closed Barrel, Straight, Tin, Uninsulated



By downloading the CAD file I accept and agree to the [Terms and Conditions](#) of use.

Instruction Sheets

Instruction Sheet (U.S.)

English

Agency Approvals

UL Report

English

UL Report

English