

33463 ✓ ACTIVE

SOLISTRAND

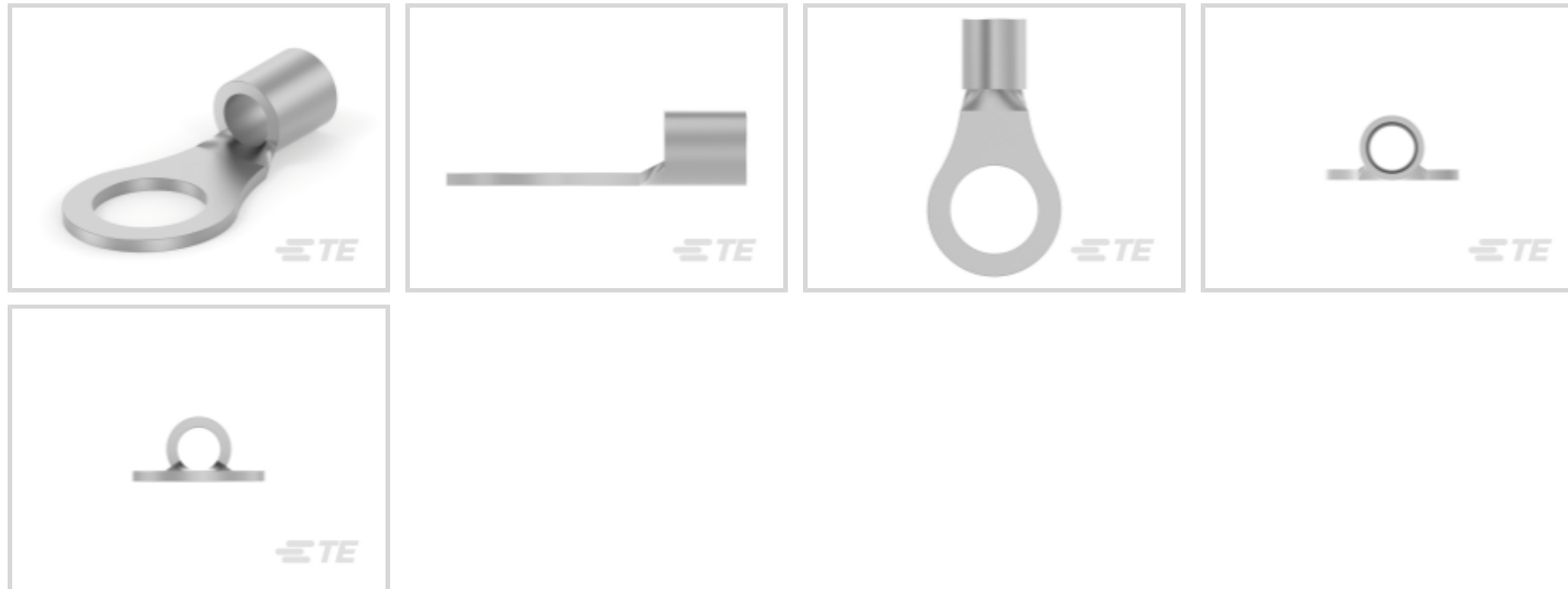
TE Internal #: 33463

Closed Ring Tongue Terminal, 8 AWG, 3/8 Stud Size, 9.53 mm / 9.91 mm [.39 in] Stud Diameter, Closed Barrel, Straight, Tin, Uninsulated

[View on TE.com >](#)



Terminals & Splices > Ring Terminals



Ring Terminal Product Type: Closed Ring Tongue Terminal

Wire Size: 13100 – 20800 CMA

Stud Size: 3/8

Features

Configuration Features

Number of Holes	1
-----------------	---

Mechanical Attachment

Wire Insulation Support	Without
-------------------------	---------

Industry Standards

Government Qualified Terminal	No
-------------------------------	----

Packaging Features

Packaging Quantity	100
Packaging Method	Loose Piece

Product Type Features

Ring Terminal Product Type	Closed Ring Tongue Terminal
Stud Size	3/8
Sealable	No
Wire Insulation Support Retention Type	Non-Insulation Support

Contact Features

Barrel Type	Closed
-------------	--------

Terminal Orientation	Straight
----------------------	----------

Terminal Plating Material	Tin
---------------------------	-----

Dimensions

Wire Size	13100 – 20800 CMA
-----------	-------------------

Stud Diameter	9.53 mm, 9.91 mm [.39 in]
---------------	---------------------------

Tongue Thickness	1.22 mm [.048 in]
------------------	-------------------

Product Length	29.67 mm [1.168 in]
----------------	---------------------

Barrel Inside Diameter	4.37 mm [.172 in]
------------------------	-------------------

Usage Conditions

Insulation Option	Uninsulated
-------------------	-------------

Operating Temperature Range	170 °C [338 °F]
-----------------------------	-----------------

Operation/Application

Compatible With Wire Base Material	Copper
------------------------------------	--------

Compatible With Wire Plating Material	Tin
---------------------------------------	-----

Other

EU RoHS Compliance	Compliant
--------------------	-----------

EU ELV Compliance	Compliant
-------------------	-----------

Product Compliance

[For compliance documentation, visit the product page on TE.com>](#)

EU RoHS Directive 2011/65/EU	Compliant
------------------------------	-----------

EU ELV Directive 2000/53/EC	Compliant
-----------------------------	-----------

China RoHS 2 Directive MIIT Order No 32, 2016	No Restricted Materials Above Threshold
---	---

EU REACH Regulation (EC) No. 1907/2006	Current ECHA Candidate List: JUNE 2024 (241) Candidate List Declared Against: JUNE 2024 (241) Does not contain REACH SVHC
--	---

Halogen Content	Low Halogen - Br, Cl, F, I < 900 ppm per homogenous material. Also BFR/CFR/PVC Free
-----------------	---

Solder Process Capability	Not applicable for solder process capability
---------------------------	--


Product Compliance Disclaimer

This information is provided based on reasonable inquiry of our suppliers and represents our current actual knowledge based on the information they provided. This information is subject to change. The part numbers that TE has identified as

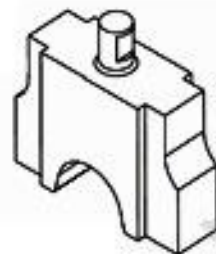


EU RoHS compliant have a maximum concentration of 0.1% by weight in homogenous materials for lead, hexavalent chromium, mercury, PBB, PBDE, DBP, BBP, DEHP, DIBP, and 0.01% for cadmium, or qualify for an exemption to these limits as defined in the Annexes of Directive 2011/65/EU (RoHS2). Finished electrical and electronic equipment products will be CE marked as required by Directive 2011/65/EU. Components may not be CE marked. Additionally, the part numbers that TE has identified as EU ELV compliant have a maximum concentration of 0.1% by weight in homogenous materials for lead, hexavalent chromium, and mercury, and 0.01% for cadmium, or qualify for an exemption to these limits as defined in the Annexes of Directive 2000/53/EC (ELV). Regarding the REACH Regulation, the information TE provides on SVHC in articles for this part number is based on the latest European Chemicals Agency (ECHA) 'Guidance on requirements for substances in articles' posted at this URL: <https://echa.europa.eu/guidance-documents/guidance-on-reach>

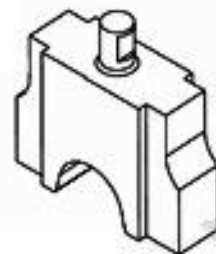
Compatible Parts



TE Part # 48355
HYP8 SOLIS 8AWG INDENTER



TE Part # 1901001-1
NEST #8



TE Part # 1901002-2
INDENTER, SOLISTRAND



TE Part # 48126
HYP8 SOLIS 8AWG NEST



TE Part # 601075
BANTAM ROTA-CRIMP TOOL



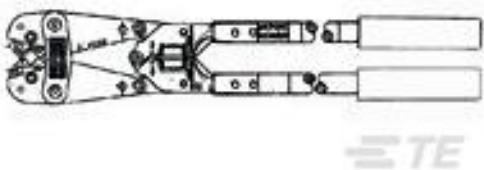
TE Part # 1490414-1
HYP10 SOLIS 8AWG INDENTER




TE Part # 1490413-1
HYP10 SOLIS 8AWG NEST



TE Part # 69339
HHHT SOLIS SOLIS FLAG STRATO 8 ASSY



TE Part # 600850
ROTO-CRIMP TOOL (ASI)



TE Part # 69355
HHHT SOLIS SOLIS FLAG STRATO 8 ASSY



TE Part # 69216
HYP8/10 SOLIS 8AWG DIE SET



TE Part # 49956
PNEUMATIC SOLIS STRATO 8 HEAD

Customers Also Bought



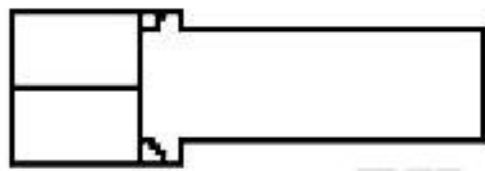
TE Part #33469
TERMINAL,SOLIS R 4 1/4



TE Part #35247
TERMINAL,SOLIS R 8 1/4



TE Part #207654-1
KEYING PLUG



TE Part #322445
TAB,SOLIS 8



Documents

Product Drawings

[TERMINAL, SOLIS R 8 3/8](#)

English

CAD Files

Customer View Model

[ENG_CVM_CVM_33463_N.2d_dxf.zip](#)

English

[3D PDF](#)

3D

Customer View Model

[ENG_CVM_CVM_33463_N.3d_igs.zip](#)

English

Customer View Model

[ENG_CVM_CVM_33463_N.3d_stp.zip](#)

English

By downloading the CAD file I accept and agree to the [Terms and Conditions](#) of use.

Datasheets & Catalog Pages

[SOLISTRAND - QRG](#)

English

Instruction Sheets

[Instruction Sheet \(U.S.\)](#)

English

Agency Approvals

[UL Report](#)

33463

Closed Ring Tongue Terminal, 8 AWG, 3/8 Stud Size, 9.53 mm / 9.91 mm [.39 in] Stud Diameter, Closed Barrel, Straight, Tin, Uninsulated



English

[UL Report](#)

English