

33465 ✓ ACTIVE

SOLISTRAND

TE Internal #: 33465

Closed Ring Tongue Terminal, 6 AWG, 1/4 / M6 Stud Size, 6.73 mm [.265 in] Stud Diameter, Closed Barrel, Straight, Tin, Uninsulated

[View on TE.com >](#)



Terminals & Splices > Ring Terminals



Ring Terminal Product Type: Closed Ring Tongue Terminal

Wire Size: 20800 – 33100 CMA

Stud Size: 1/4, M6

Features

Configuration Features

Number of Holes	1
-----------------	---

Mechanical Attachment

Wire Insulation Support	Without
-------------------------	---------

Industry Standards

Government Qualified Terminal	No
-------------------------------	----

Packaging Features

Packaging Quantity	100
--------------------	-----

Packaging Method	Loose Piece
------------------	-------------

Product Type Features

Ring Terminal Product Type	Closed Ring Tongue Terminal
----------------------------	-----------------------------

Stud Size	1/4, M6
-----------	---------

Sealable	No
----------	----

Wire Insulation Support Retention Type	Non-Insulation Support
--	------------------------

Contact Features

Barrel Type	Closed
-------------	--------



Terminal Orientation	Straight
----------------------	----------

Terminal Plating Material	Tin
---------------------------	-----

Dimensions

Wire Size	20800 – 33100 CMA
-----------	-------------------

Stud Diameter	6.73 mm [.265 in]
---------------	-------------------

Tongue Thickness	1.45 mm [.057 in]
------------------	-------------------

Product Length	31.65 mm [1.246 in]
----------------	---------------------

Barrel Inside Diameter	5.89 mm [.232 in]
------------------------	-------------------

Usage Conditions

Insulation Option	Uninsulated
-------------------	-------------

Operating Temperature Range	170 °C [338 °F]
-----------------------------	-----------------

Operation/Application

Compatible With Wire Base Material	Copper
------------------------------------	--------

Compatible With Wire Plating Material	Tin
---------------------------------------	-----

Other

EU RoHS Compliance	Compliant
--------------------	-----------

EU ELV Compliance	Compliant
-------------------	-----------

Product Compliance

[For compliance documentation, visit the product page on TE.com>](#)

EU RoHS Directive 2011/65/EU	Compliant
------------------------------	-----------

EU ELV Directive 2000/53/EC	Compliant
-----------------------------	-----------

China RoHS 2 Directive MIIT Order No 32, 2016	No Restricted Materials Above Threshold
---	---

EU REACH Regulation (EC) No. 1907/2006	Current ECHA Candidate List: JUNE 2024 (241) Candidate List Declared Against: JUNE 2024 (241) Does not contain REACH SVHC
--	---

Halogen Content	Low Halogen - Br, Cl, F, I < 900 ppm per homogenous material. Also BFR/CFR/PVC Free
-----------------	---

Solder Process Capability	Not applicable for solder process capability
---------------------------	--

Product Compliance Disclaimer

This information is provided based on reasonable inquiry of our suppliers and represents our current actual knowledge based on the information they provided. This information is subject to change. The part numbers that TE has identified as



EU RoHS compliant have a maximum concentration of 0.1% by weight in homogenous materials for lead, hexavalent chromium, mercury, PBB, PBDE, DBP, BBP, DEHP, DIBP, and 0.01% for cadmium, or qualify for an exemption to these limits as defined in the Annexes of Directive 2011/65/EU (RoHS2). Finished electrical and electronic equipment products will be CE marked as required by Directive 2011/65/EU. Components may not be CE marked. Additionally, the part numbers that TE has identified as EU ELV compliant have a maximum concentration of 0.1% by weight in homogenous materials for lead, hexavalent chromium, and mercury, and 0.01% for cadmium, or qualify for an exemption to these limits as defined in the Annexes of Directive 2000/53/EC (ELV). Regarding the REACH Regulation, the information TE provides on SVHC in articles for this part number is based on the latest European Chemicals Agency (ECHA) 'Guidance on requirements for substances in articles' posted at this URL: <https://echa.europa.eu/guidance-documents/guidance-on-reach>

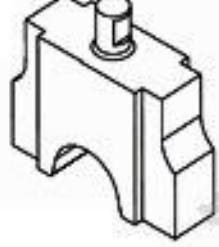
Compatible Parts



TE Part # 601075
BANTAM ROTA-CRIMP TOOL



TE Part # 48128
HYP8 SOLIS 6AWG NEST



TE Part # 1901000-1
NEST #6



TE Part # 600850
ROTO-CRIMP TOOL (ASI)



TE Part # 8-33465-2
TERMINAL, SOLIS R 6 1/4



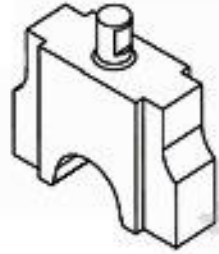
TE Part # 69217
HYP8/10 SOLIS 6AWG DIE SET



TE Part # 1490413-2
HYP10 SOLIS HD 8AWG NEST



TE Part # 48127
HYP8 SOLIS 6-2AWG INDENTER



TE Part # 1901002-1
INDENTER, SOLISTRAND



TE Part # 1490414-2
HYP10 SOLIS HD 6-4AWG INDENTER



TE Part # 2-33465-1
TERMINAL, SOLIS R 6 1/4

Customers Also Bought



TE Part #1SET411103R0000
WD-1-DH-GR2560



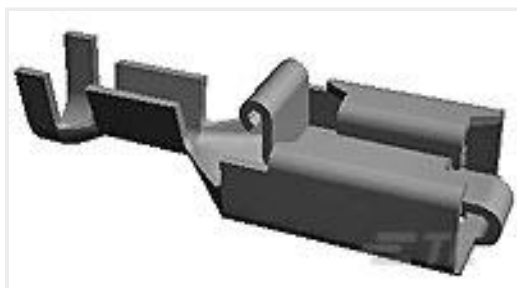
TE Part #202713-1
SERIES M 75 POS, 2 PC. SHIELD



TE Part #8-33467-3
TERMINAL, SOLIS R 6 3/8



TE Part #320755
TERMINAL, SOLIS R 2 3/4



TE Part #170266-2
POSITIVE LOCK RECEPTACLE
ELECTRO TPBR



TE Part #200532-2
50 PL. SHIELD ASSY.



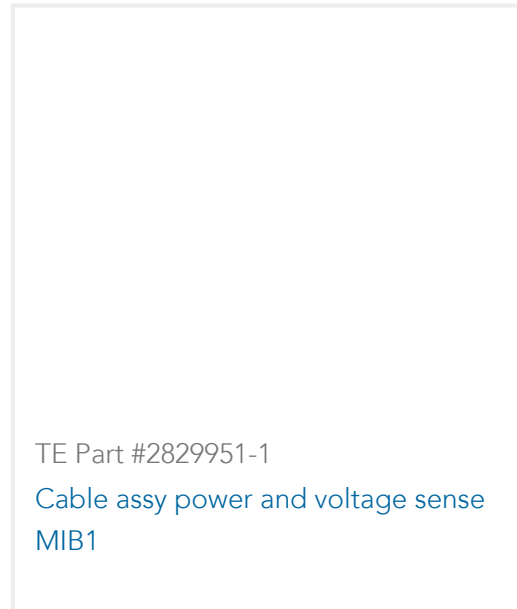
TE Part #8-165049-2
PIDG WIRE PIN - ASI



TE Part #2829946-1
Cable assy control power PS-interface



TE Part #2829947-1
Cable assy MID1 AUX switches sense



TE Part #2829951-1
Cable assy power and voltage sense
MIB1

Documents

Product Drawings

[TERMINAL,SOLIS R 6 1/4](#)

English

CAD Files

Customer View Model

[ENG_CVM_CVM_33465_AB.2d_dxf.zip](#)

English

[3D PDF](#)

3D

Customer View Model

[ENG_CVM_CVM_33465_AB.3d_igs.zip](#)

English

Customer View Model

[ENG_CVM_CVM_33465_AB.3d_stp.zip](#)

English

By downloading the CAD file I accept and agree to the [Terms and Conditions](#) of use.

Datasheets & Catalog Pages

[SOLISTRAND - QRG](#)

English

Instruction Sheets

[Instruction Sheet \(U.S.\)](#)

English

Agency Approvals

[UL Report](#)

33465

Closed Ring Tongue Terminal, 6 AWG, 1/4 / M6 Stud Size, 6.73 mm [.265 in] Stud Diameter, Closed Barrel, Straight, Tin, Uninsulated



English

[UL Report](#)

English