

34070 ✓ ACTIVE



PLASTI-GRIP

TE Internal #: 34070

Butt Splice, 22 – 16 AWG Wire Size, .3 – 1.42 mm² Wire Size, Serrated, 509 – 3260 CMA Wire Size, Copper, Red, PLASTI-GRIP, Splices

[View on TE.com >](#)

Terminals & Splices > Splices



Splice Type: **Butt Splice**
Wire Size: **.3 – 1.42 mm²**
Sealable: **No**
Splice Features: **Serrated**

Features

Electrical Characteristics

| | |
|-------------------|-------|
| Operating Voltage | 600 V |
|-------------------|-------|

Packaging Features

| | |
|--------------------|-------------|
| Packaging Quantity | 1000 |
| Packaging Method | Loose Piece |

Contact Features

| | |
|---------------------------|--------|
| Terminal Plating Material | Tin |
| Contact Base Material | Copper |
| Barrel Type | Closed |

Body Features

| | |
|-----------------------|----------|
| Product Weight | 1.432 g |
| Insulation Material | Vinyl |
| Splice Features | Serrated |
| Primary Product Color | Red |

Product Type Features



| | |
|--|--------------------|
| Splice Accessory Type | Splice |
| Splice Type | Butt Splice |
| Sealable | No |
| Compatible With Discrete Wire Type | Solid, Stranded |
| Wire Insulation Support Retention Type | Insulation Support |

Configuration Features

| | |
|-----------------------------------|---------------|
| Compatible With Wire & Cable Type | Discrete Wire |
|-----------------------------------|---------------|

Mechanical Attachment

| | |
|-------------------------|------|
| Wire Insulation Support | With |
|-------------------------|------|

Dimensions

| | |
|--------------------------------------|--------------------|
| Wire Size | 509 – 3260 CMA |
| Compatible Insulation Diameter Range | 3.56 mm[.14 in] |
| Product Length | 27.33 mm[1.076 in] |

Usage Conditions

| | |
|-----------------------------|-----------------|
| Insulation Option | Fully Insulated |
| Operating Temperature Range | 90 °C[194 °F] |

Operation/Application

| | |
|------------------------------------|--------|
| Compatible With Wire Base Material | Copper |
|------------------------------------|--------|

Industry Standards

| | |
|-----------------------------|----|
| Government Qualified Splice | No |
|-----------------------------|----|

Other

| | |
|--------------------|-----------|
| EU RoHS Compliance | Compliant |
| EU ELV Compliance | Compliant |

Product Compliance

[For compliance documentation, visit the product page on TE.com>](#)

| | |
|---|--|
| EU RoHS Directive 2011/65/EU | Compliant |
| EU ELV Directive 2000/53/EC | Compliant |
| China RoHS 2 Directive MIIT Order No 32, 2016 | No Restricted Materials Above Threshold |
| EU REACH Regulation (EC) No. 1907/2006 | Current ECHA Candidate List: JUNE 2024 (241) Candidate List Declared Against: JUNE 2024 (241) |



Does not contain REACH SVHC

Halogen Content

Not Low Halogen - contains Br or Cl > 900 ppm.

Solder Process Capability

Not applicable for solder process capability

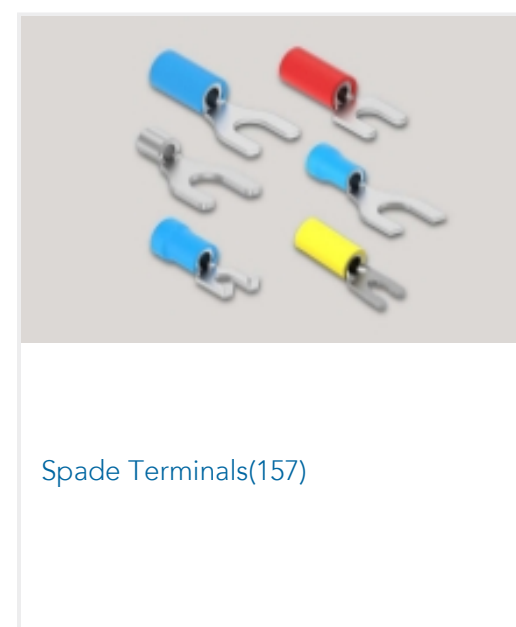
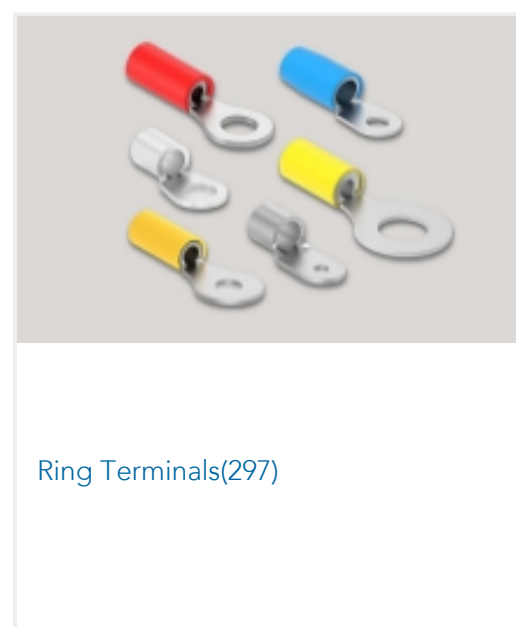
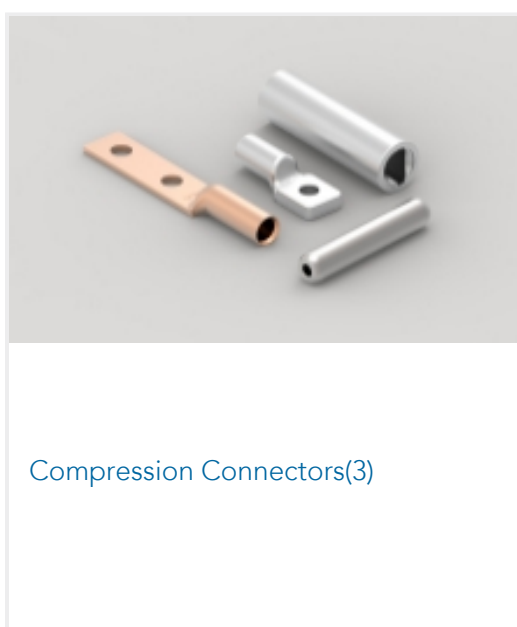
Product Compliance Disclaimer

This information is provided based on reasonable inquiry of our suppliers and represents our current actual knowledge based on the information they provided. This information is subject to change. The part numbers that TE has identified as EU RoHS compliant have a maximum concentration of 0.1% by weight in homogenous materials for lead, hexavalent chromium, mercury, PBB, PBDE, DBP, BBP, DEHP, DIBP, and 0.01% for cadmium, or qualify for an exemption to these limits as defined in the Annexes of Directive 2011/65/EU (RoHS2). Finished electrical and electronic equipment products will be CE marked as required by Directive 2011/65/EU. Components may not be CE marked. Additionally, the part numbers that TE has identified as EU ELV compliant have a maximum concentration of 0.1% by weight in homogenous materials for lead, hexavalent chromium, and mercury, and 0.01% for cadmium, or qualify for an exemption to these limits as defined in the Annexes of Directive 2000/53/EC (ELV). Regarding the REACH Regulation, the information TE provides on SVHC in articles for this part number is based on the latest European Chemicals Agency (ECHA) 'Guidance on requirements for substances in articles' posted at this URL: <https://echa.europa.eu/guidance-documents/guidance-on-reach>

Compatible Parts



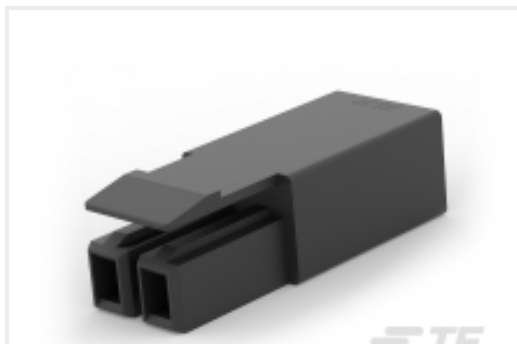
Also in the Series | PLASTI-GRIP



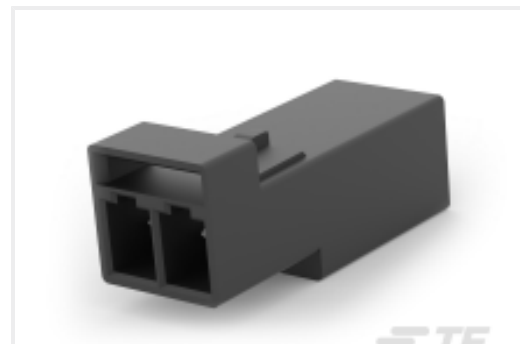


Splices(44)

Customers Also Bought



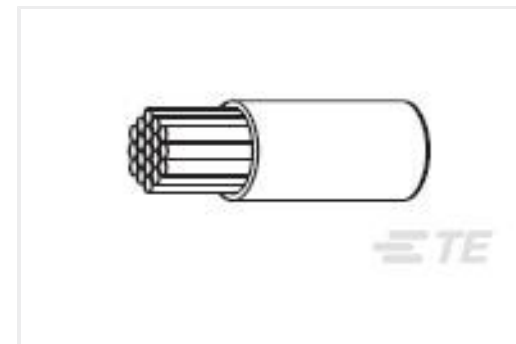
TE Part #2834048-2
PLUG, 2P LATCHED POKE-IN WTW
CONN.BK



TE Part #2834049-2
REC, 2P LATCHED POKE-IN WTW
CONN.BK



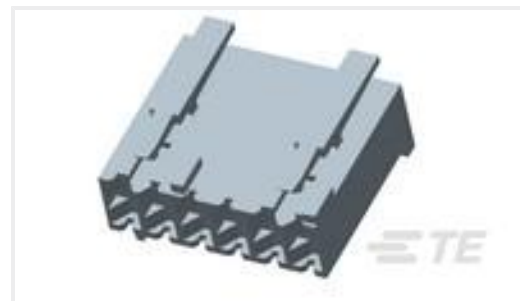
TE Part #2296205-2
2P RCPT VAL-U-LOK GWT/V0



TE Part #435829-000
FLHTC0311-16-0



TE Part #2-326741-1
TERMINAL,PG SPD 16-14 8



TE Part #1241965-6
STD-TIMER GEH 6P



TE Part #2-1241965-4
STD TIMER PLUG HSG 4P W/EXT.
LOCKING



TE Part #2150150-1
OCEAN_2.0_Applicator-E-062O062O-
SEM



TE Part #7-2150150-7
OCEAN_2.0_SPARE_PART_KIT-
062O062O



TE Part #2-1241965-6
6POS STD TIMER HOUSING W.EXT.
LOCK

Documents

Product Drawings

[PG BUTT SPLC 22-16COMM22-18MIL](#)

English

CAD Files

[3D PDF](#)

3D

[Customer View Model](#)

[ENG_CVM_CVM_34070_Z.2d_dxf.zip](#)



English

Customer View Model

[ENG_CVM_CVM_34070_Z.3d_igs.zip](#)

English

Customer View Model

[ENG_CVM_CVM_34070_Z.3d_stp.zip](#)

English

3D PDF

3D

3D PDF

English

Customer View Model

[ENG_CVM_34070_T1.3d_igs.zip](#)

English

Customer View Model

[ENG_CVM_34070_T1.3d_stp.zip](#)

English

Customer View Model

[ENG_CVM_34070_T1.2d_dxf.zip](#)

English

By downloading the CAD file I accept and agree to the [Terms and Conditions](#) of use.

Product Specifications

Application Specification

English

Instruction Sheets

Instruction Sheet (U.S.)

English

Agency Approvals

UL Report

English

UL Report

English