

34162 ✓ ACTIVE

PLASTI-GRIP

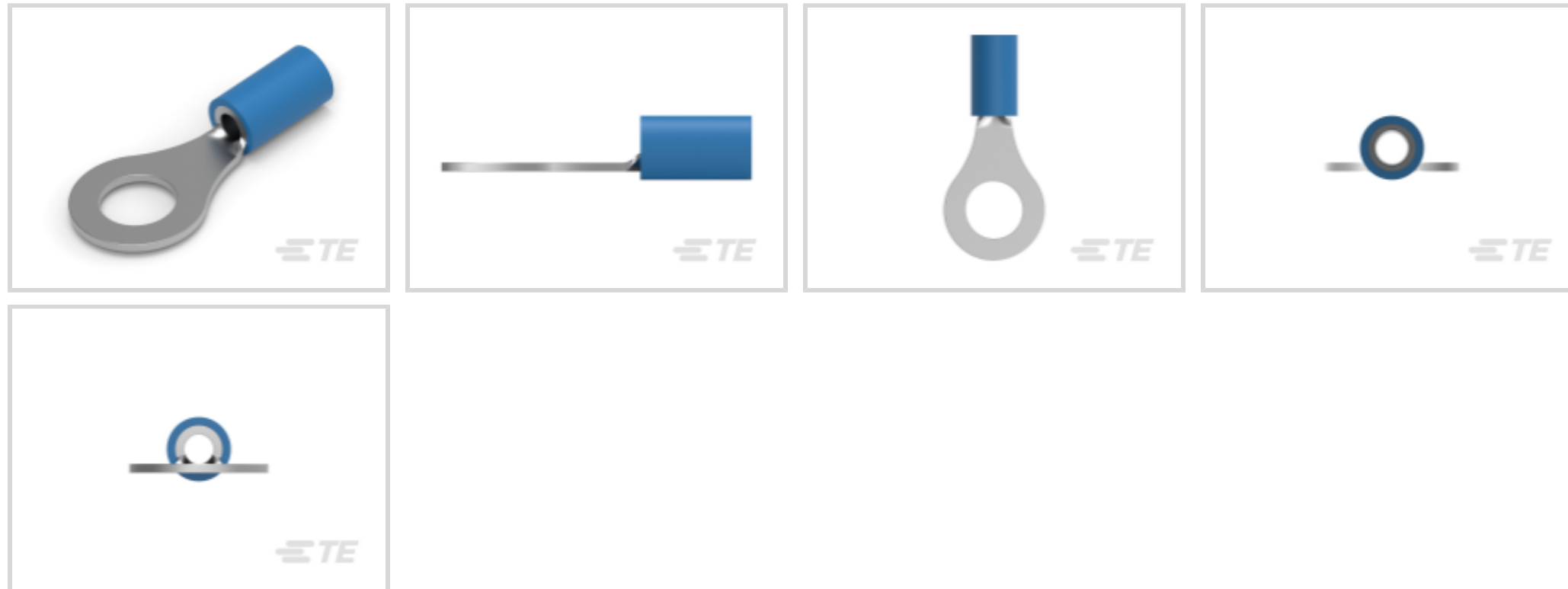
TE Internal #: 34162

Closed Ring Tongue Terminal, 16 – 14 AWG, 1/4 / M6 Stud Size, 6.73 mm [.265 in] Stud Diameter, Closed Barrel, Straight, Tin, PLASTI-GRIP

[View on TE.com >](#)



Terminals & Splices > Ring Terminals



Ring Terminal Product Type: Closed Ring Tongue Terminal

Wire Size: 2050 – 5180 CMA

Stud Size: 1/4, M6

Features

Configuration Features

Number of Holes	1
-----------------	---

Body Features

Product Weight	1.32 g
----------------	--------

Mechanical Attachment

Wire Insulation Support	With
-------------------------	------

Electrical Characteristics

Voltage Rating	600 V
----------------	-------

Industry Standards

Government Qualified Terminal	No
-------------------------------	----

Packaging Features

Packaging Quantity	1000
--------------------	------

Packaging Method	Loose Piece
------------------	-------------

Product Type Features

Ring Terminal Product Type	Closed Ring Tongue Terminal
----------------------------	-----------------------------



Stud Size	1/4, M6
Sealable	No
Wire Insulation Support Retention Type	Insulation Support

Contact Features

Barrel Type	Closed
Terminal Orientation	Straight
Terminal Plating Material	Tin

Dimensions

Wire Size	2050 – 5180 CMA
Stud Diameter	6.73 mm [.265 in]
Tongue Thickness	.79 mm [.031 in]
Product Length	27.69 mm [1.09 in]
Compatible Insulation Diameter (Max)	4.9 mm [.193 in]
Compatible Insulation Diameter Range	3 – 4.9 mm [.118 – .193 in]

Usage Conditions

Insulation Option	Partially Insulated
Operating Temperature Range	105 °C [221 °F]

Operation/Application

Compatible With Wire Base Material	Copper
Compatible With Wire Plating Material	Tin

Other

EU RoHS Compliance	Compliant
EU ELV Compliance	Compliant

Product Compliance

[For compliance documentation, visit the product page on TE.com>](#)

EU RoHS Directive 2011/65/EU	Compliant
EU ELV Directive 2000/53/EC	Compliant
China RoHS 2 Directive MIIT Order No 32, 2016	No Restricted Materials Above Threshold
EU REACH Regulation (EC) No. 1907/2006	Current ECHA Candidate List: JUNE 2024 (241) Candidate List Declared Against: JUNE 2024 (241) Does not contain REACH SVHC



Halogen Content	Not Low Halogen - contains Br or Cl > 900 ppm.
Solder Process Capability	Not applicable for solder process capability

Product Compliance Disclaimer

This information is provided based on reasonable inquiry of our suppliers and represents our current actual knowledge based on the information they provided. This information is subject to change. The part numbers that TE has identified as EU RoHS compliant have a maximum concentration of 0.1% by weight in homogenous materials for lead, hexavalent chromium, mercury, PBB, PBDE, DBP, BBP, DEHP, DIBP, and 0.01% for cadmium, or qualify for an exemption to these limits as defined in the Annexes of Directive 2011/65/EU (RoHS2). Finished electrical and electronic equipment products will be CE marked as required by Directive 2011/65/EU. Components may not be CE marked. Additionally, the part numbers that TE has identified as EU ELV compliant have a maximum concentration of 0.1% by weight in homogenous materials for lead, hexavalent chromium, and mercury, and 0.01% for cadmium, or qualify for an exemption to these limits as defined in the Annexes of Directive 2000/53/EC (ELV). Regarding the REACH Regulation, the information TE provides on SVHC in articles for this part number is based on the latest European Chemicals Agency (ECHA) 'Guidance on requirements for substances in articles' posted at this URL: <https://echa.europa.eu/guidance-documents/guidance-on-reach>

Compatible Parts

TE Part # 1377173-6
SMP 0-0034162-0

TE Part # 539691-2
ERGO DIE R.B.Y

TE Part # 2063030-1
SDE DIESET, RBY, UL

TE Part # 169404
CERTI-LOK DIE

TE Part # 58433-3
PRO CR ASSY, RBY IS9252

TE Part # 58423-1
DIE, RBY IS9252

TE Part # 59170
T-HEAD PIDG SH 26-14 ASSY

TE Part # 47807-1
DIES PIDG 16-14 DIE SET

TE Part # 47387
DAHT PG PIDG 20-14 ASSY

TE Part # 169400
CERTI-LOK FRAME W/O DIES

TE Part # 59250
T-HEAD PIDG 26-14 ASSY

TE Part # 525691
DAHT PG PIDG 16-14 ASSY



TE Part # 59824-1
TETRA-CRIMP PIDG PG FASTON 22-10 ASSY

Also in the Series | PLASTI-GRIP



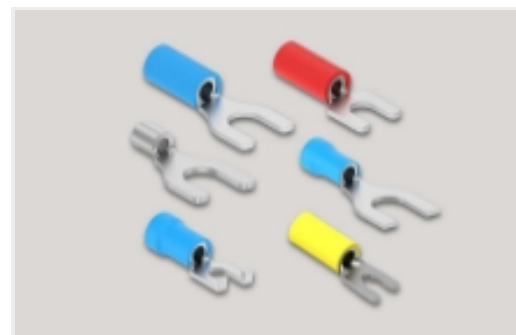
Compression Connectors(3)



Crimp Wire Pins, Tabs & Ferrules(18)



Ring Terminals(297)



Spade Terminals(157)



Splices(44)

Customers Also Bought



TE Part #52431-1
TERMINAL,PIDG SPR SPD 12-10 8



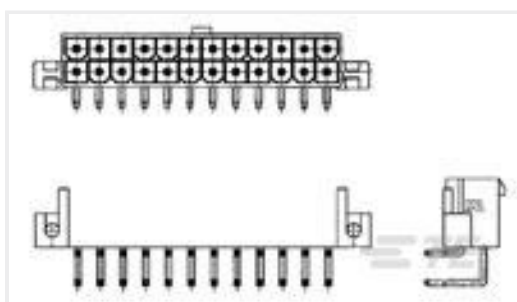
TE Part #5535071-4
ASSY,RECEPTACLE,EUROCARD,TYPE



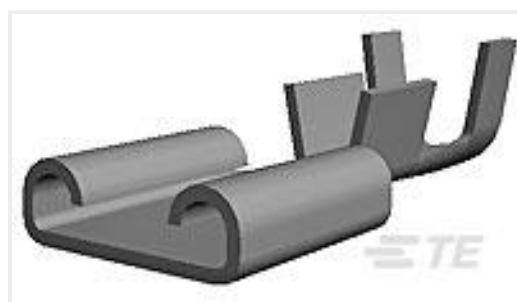
TE Part #34855
TERMINAL,PG R 12-10 1/4



TE Part #34163
TERMINAL,PG R 16-14 5/16



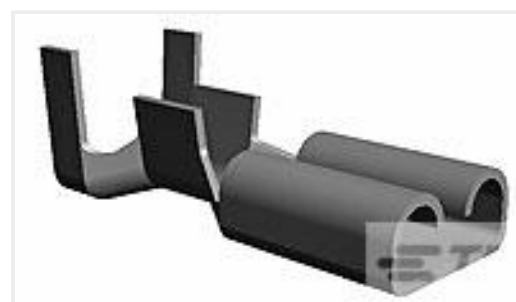
TE Part #1-1586043-6
16P VAL-U-LOK R/A HDR SCRMT V2



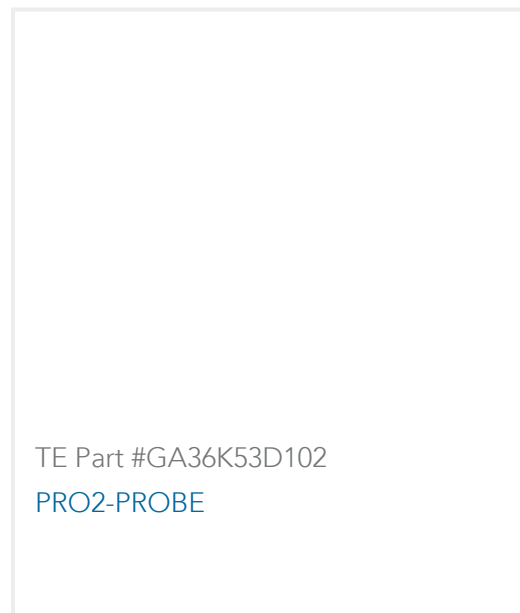
TE Part #170095-1
250 FASTON,REC.,22-18 AWG,TPPB



TE Part #174779-1
PL 110 HOUSING RECEPTACLE



TE Part #170038-4
187 FASTON,REC.,20-16 AWG,TPPB



Documents

Product Drawings

[TERMINAL,PG R 16-14 1/4](#)

English

CAD Files

[3D PDF](#)

3D

Customer View Model

[ENG_CVM_CVM_34162_U.2d_dxf.zip](#)

English

Customer View Model

[ENG_CVM_CVM_34162_U.3d_igs.zip](#)

English

Customer View Model

[ENG_CVM_CVM_34162_U.3d_stp.zip](#)

English

By downloading the CAD file I accept and agree to the [Terms and Conditions](#) of use.

Product Specifications

[Application Specification](#)

English

Agency Approvals

[UL Report](#)

English

[UL Report](#)

English

[UL Report](#)

English