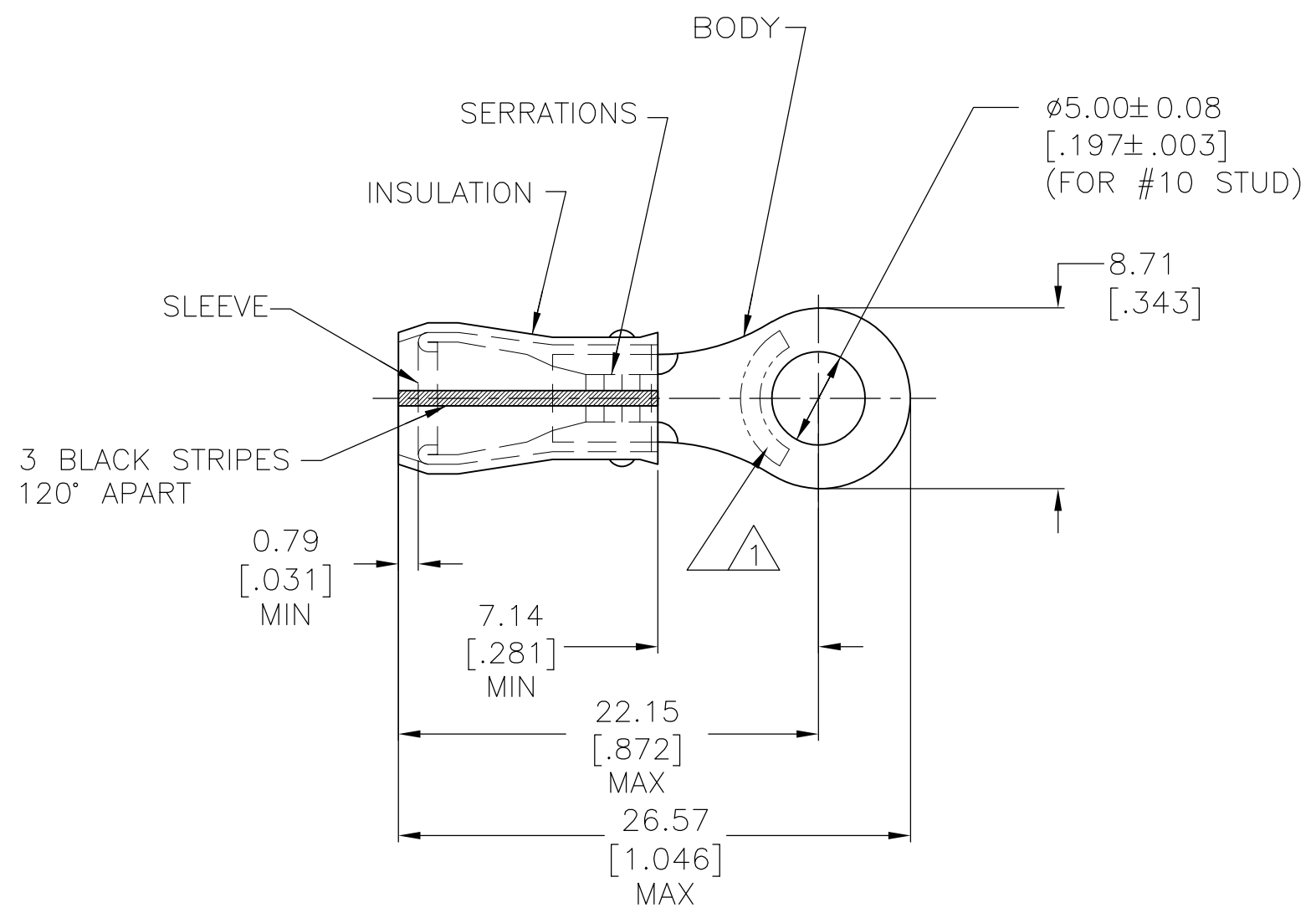


THIS DRAWING IS UNPUBLISHED. RELEASED FOR PUBLICATION  
 © COPYRIGHT - By - ALL RIGHTS RESERVED.

LOC	DIST	REVISIONS			
P	LTR	DESCRIPTION	DATE	DWN	APVD
G	14	H	REVISED PER ECO-14-015277	27FEB2015	NK DR



<b>AMP</b> WIRE RANGE	E13288	LR7189 Certified
16-14 AWG SOLID OR STRANDED	16-14 AWG SOLID OR STRANDED	16-14 AWG SOLID OR STRANDED

- 1 STAMP AMP 16-14 HD\* APPROX AS SHOWN.
- 2 WIRE INSUL DIA, 3.81-6.35[.150-.250].
- 3 TONGUE MATERIAL THK, 1.22±0.05[.048±.002].

100	LOOSE PIECE, BOX	8-34805-1
2500	ON TAPE, REEL	2-34805-1
500	LOOSE PIECE	34805
QTY	PACKAGE TYPE	PART NO

AMP INCORPORATED CUSTOMER SERVICE SYSTEM		MAX RECOMMENDED OPERATING TEMPERATURE: 105°C[221°F]	THIS DRAWING IS A CONTROLLED DOCUMENT.		DWN M ELLIS 28SEP95	TE Connectivity				
FOR ADDITIONAL PRODUCT INFORMATION OR COPIES OF DRAWINGS AND TECHNICAL DOCUMENTS	PRODUCT INFORMATION CENTER 1-800-522-6752		VOLTAGE RATING: 300 V MAX	DIMENSIONS: mm [INCHES]	TOLERANCES UNLESS OTHERWISE SPECIFIED:					CHK C PRESNELL 28SEP95
FOR APPLICATION TOOLING INFORMATION	TOOLING ASSISTANCE CENTER 1-800-722-1111	CIRCULAR MIL AREA: 1.04mm <sup>2</sup> -2.62mm <sup>2</sup> [2050-5180]		0 PLC ± - 1 PLC ± - 2 PLC ± 0.20[.008] 3 PLC ± - 4 PLC ± - ANGLES ± -	APVD N BIRCH 28SEP95	PRODUCT SPEC UL 486A	SIZE A3	CAGE CODE 00779	DRAWING NO C-34805	RESTRICTED TO -
FOR ORDER ENTRY	1-800-526-5142		MATERIAL BODY,SLV,COPPER PER ASTM B 152 INSUL,NYLON,COLOR,YELLOW	FINISH BODY & SLV,TIN PLATE PER MIL-T-10727	WEIGHT -	APPLICATION SPEC -	SCALE 4:1	SHEET 1 OF 1	REV H	