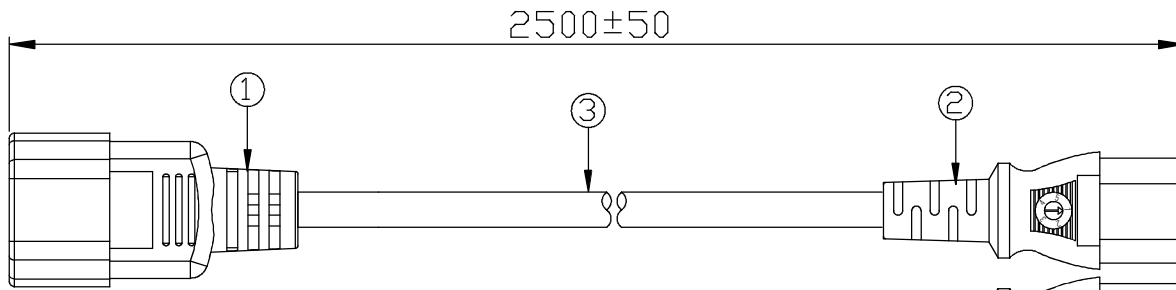
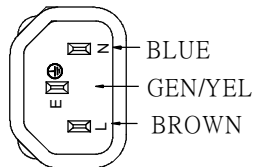
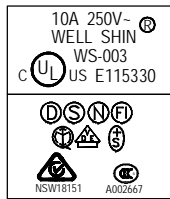


CUSTOMER:	P/N: 3500.098	REV.	APPROVED BY:
-----------	---------------	------	--------------

REVISIONS		
REV.	DESCRIPTION	DATE
△		09.08.19
△		2011.01.13
△		2011/04/01
△		2012/01/17
△		2012/07/10
△		2012/08/24
△		2013/05/14
△		2014/04/14
△	Head / tail and wire increases CCC Safety	2015/06/04

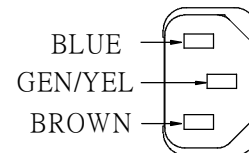
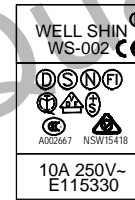


MARKING:

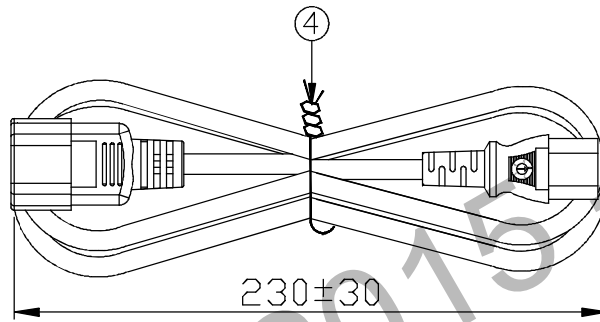


IEC-60320-C14

MARKING:



IEC-60320-C13



NOTES:

1. THE END PLUG AND WIRE INCREASE "CE" MARK.
2. CHANGHUA MANUFACTURE OF WIRE HAVE CSA SAFETY CHANGHUA PRODUCTION BEGAN TO ISSUE FROM THE "J EDITION"
3. RoHS

ITEM	DESCRIPTION	COLOR	Q'TY
④	PE	CLEAR	1
③	SJTW 17AWG*3C 105°C+H05VV-F 3G 1.0MMSQ + 60227 IEC 53 3G 1.00MMSQ APPROVAL : EUROPEAN+SAA,CCC +UL,C-UL(CSA)+CE	BLACK	1
②	WS-002 10 (A) 250 (V) APPROVAL : EUROPEAN+SAA +UL,C-UL+CE,CCC	BLACK	1
①	WS-003 10 (A) 250 (V) APPROVAL : EUROPEAN+SAA +UL,C-UL,CCC	BLACK	1

SIGNATURE		QUAIL ELECTRONICS, INC. http://www.quail.com			
SAFETY ENGINEER:					
MANAGER BY:		PRODUCT NO:	003+002-1	DATE:	2015/06/04
CHECKED BY:		UNIT:	mm	SHEET:	1 OF 1
DRAWN BY:		DWG NO:	0096-0040	REV.	Q