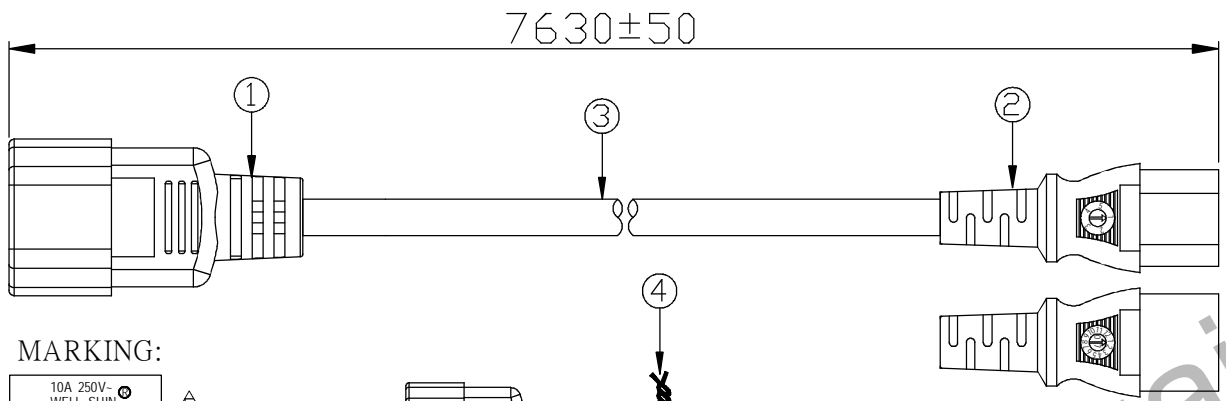
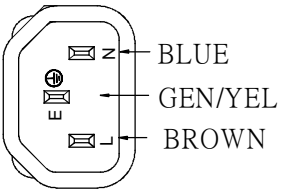
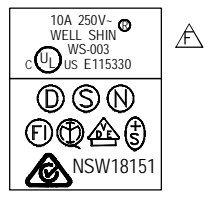


CUSTOMER: P/N: 3500.300 REV. APPROVED BY:

| REVISIONS | | |
|-----------|----------------------|------------|
| REV. | DESCRIPTION | DATE |
| Ⓐ | | 2011/12/23 |
| Ⓑ | | 2012/09/19 |
| Ⓒ | | 2013/03/19 |
| Ⓓ | | 2014/04/29 |
| Ⓔ | Update printing head | 2015/02/24 |

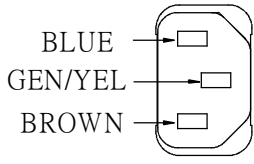
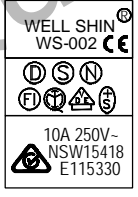


MARKING:



IEC-60320-C14

MARKING:



IEC-60320-C13

NOTES:

1. Add CE mark
2. CSA Safety Update from A Edition
3. RoHS

| | | | |
|------|--|--|---------|
| ④ | Cable tie | BLACK | 2 |
| ③ | SJTW 17AWG*3C 105°C +H05VV-F 1.0MMMSQ 3G | APPROVAL : UL,C-UL(CSA)+EUROPEAN+CE ,SAA | BLACK 1 |
| ② | WS-002 10 (A) 250 (V) | APPROVAL : UL,C-UL+EUROPEAN+CE,SAA | BLACK 1 |
| ① | WS-003 10 (A) 250 (V) | APPROVAL : UL,C-UL+EUROPEAN,SAA | BLACK 1 |
| ITEM | DESCRIPTION | COLOR | Q'TY |

| | | | | | | | |
|------------------|--|---|-----------|-----------|------------|------|---|
| SIGNATURE | | QUAIL ELECTRONICS, INC. http://www.quail.com | | | | | |
| SAFETY ENGINEER: | | | | | | | |
| MANAGER BY: | | PRODUCT NO.: | 003+002-1 | DATE: | 2015/02/24 | | |
| CHECKED BY: | | UNIT: | mm | SHEET: | 1 OF 1 | REV. | F |
| DRAWN BY: | | DWG NO.: | | 0096-1068 | | | |