



Heyco® Nytye® Mounting Platforms

Flat Platforms

- Multiple sizes, strengths, and mounting options anchor Nytyes® securely.
- Five Types:
 - 1) Flat - Adhesive-Back and Screw Mounts
 - 2) Push Mount - Arrowhead and Blind Mounts
 - 3) Saddle - Screw Mount only
 - 4) Snap Over Bolt
 - 5) Stainless Steel Clip
- Rubber based adhesive effective up to 126°F (52°C).
- Apply Adhesive-Backed parts to a clean, dry surface.

MAX. TENSILE STRENGTH		SCREW SIZE		INSERT POINTS	RELEASE TAB?	PART NO.	DESCRIPTION	PART DIMENSIONS					
Lbs.	N	in.	mm.					A		B		C	
Adhesive-Back Mount													
18	80	-	-	4	yes	3591	MP 4A-M	.50	12,7	.50	12,7	.17	4,3
40	178	-	-	4	yes	3595	MP 4A-75	.75	19,1	.75	19,1	.28	7,0
					no	3594	MP 4A-S	.80	20,3	.80	20,3	.19	4,8
					yes	3599	MP 4A-100	1.00	25,4	1.00	25,4	.32	8,1
50	222	#8	4,0	2	no	3590	MP 2A *	1.10	27,9	1.10	27,9	.24	6,0
		#8	4,0	4	no	3593	MP 4A *	1.15	29,2	1.15	29,2	.26	6,6
Screw Mount													
40	178	#6	3,5	4	n/a	4264	MP 4-S	.75	19,1	.75	19,1	.24	6,0
50	222	#8	4,0	4	n/a	3589	MP 4-100	1.00	25,4	1.00	25,4	.28	7,1
				2	n/a	3590	MP 2A	1.10	27,9	1.10	27,9	.24	6,0
		#8	4,0	4	n/a	3593	MP 4A	1.15	29,2	1.15	29,2	.26	6,6
		#8	4,0	4	n/a	4265	MP 34	.75	19,1	.38	9,5	.20	5,0

Standard color natural.

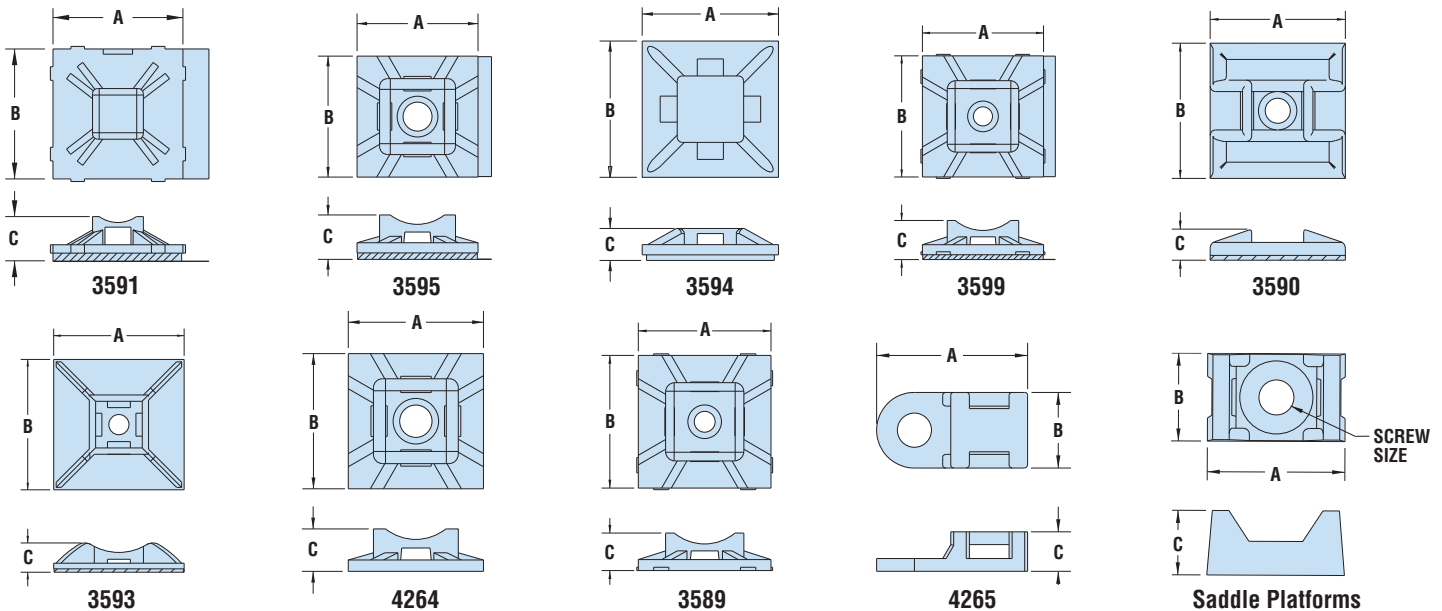
*These adhesive-backed parts are also screw mountable.

Saddle Platforms

Tensile	Tensile-Width Chart	
	Width	
Lbs.	in.	mm.
18	.10	2,5
40	.14	3,6
50	.19	4,8

MAX. TENSILE STRENGTH		SCREW SIZE		INSERT POINTS	PART NO.	DESCRIPTION	PART DIMENSIONS					
Lbs.	N	in.	mm.				A		B		C	
Screw Mount												
18	80	#4	3,0	2	4269	MP S-4	.51	13,0	.33	8,3	.24	6,1
50	222	#8	4,0	2	3759	MP S-8	.60	15,2	.38	9,7	.28	7,0
120	534	#10	5,0	2	3753	MP S-10	.87	22,2	.62	15,7	.39	9,9

Standard color natural.



Material: Nylon 6/6
 Flammability Rating: 94V-2
 Temperature Range: 32°F (0°C) to 185°F (85°C) (Non-adhesive backed)
 -20°F (-29°C) to 150°F (66°C) (adhesive backed)