

The 316L material is much harder and ideal for direct exposure to salt water and chemical solutions in marine, off-shore, pharmaceutical, etc.

316L Stainless Steel Reducers are produced upon request only.

Please allow for longer delivery times!

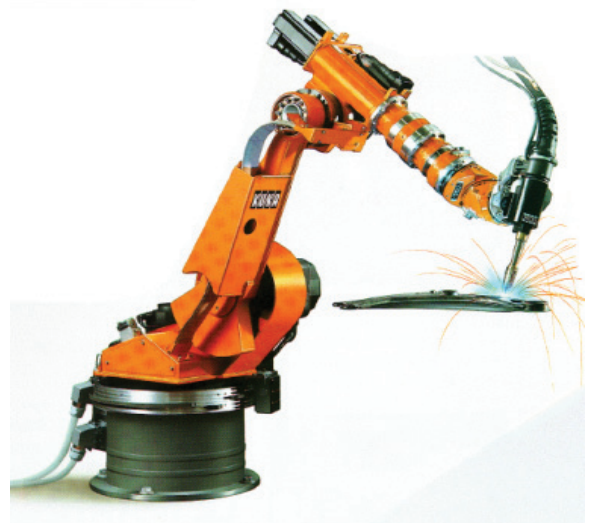
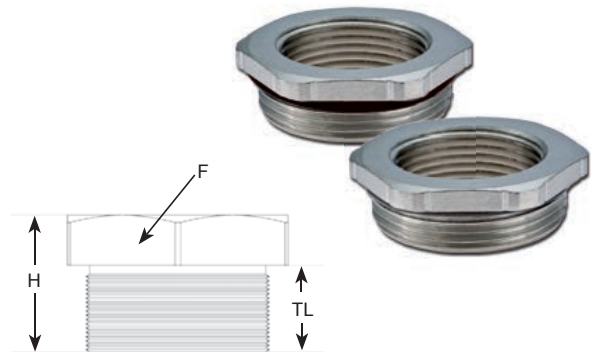
303 Stainless Steel Thread Reducers: Metric to Metric Threads						
Part Numbers		Threads		Dimensions in Inches (mm)		
Without O-Ring	With Buna-N O-Ring	Male Thread A	Female Thread B	F	TL	H
				Wrench Flat	Thread Length	Height
RM-1612-SS	RM-1612-SS-B	M16 x 1.5	M12 x 1.5	.67 (17)	.20 (5)	.35 (9)
RM-2012-SS	RM-2012-SS-B	M20 x 1.5	M12 x 1.5	.87 (22)	.24 (6)	.37 (9.5)
RM-2016-SS	RM-2016-SS-B	M20 x 1.5	M16 x 1.5	.87 (22)	.24 (6)	.37 (9.5)
RM-2516-SS	RM-2516-SS-B	M25 x 1.5	M16 x 1.5	1.06 (27)	.28 (7)	.41 (10.5)
RM-2520-SS	RM-2520-SS-B	M25 x 1.5	M20 x 1.5	1.06 (27)	.28 (7)	.41 (10.5)
RM-3216-SS	RM-3216-SS-B	M32 x 1.5	M16 x 1.5	1.34 (34)	.31 (8)	.49 (12.5)
RM-3220-SS	RM-3220-SS-B	M32 x 1.5	M20 x 1.5	1.34 (34)	.31 (8)	.49 (12.5)
RM-3225-SS	RM-3225-SS-B	M32 x 1.5	M25 x 1.5	1.34 (34)	.31 (8)	.49 (12.5)
RM-4020-SS	RM-4020-SS-B	M40 x 1.5	M20 x 1.5	1.46 (43)	.31 (8)	.51 (13)
RM-4025-SS	RM-4025-SS-B	M40 x 1.5	M25 x 1.5	1.46 (43)	.31 (8)	.51 (13)
RM-4032-SS	RM-4032-SS-B	M40 x 1.5	M32 x 1.5	1.46 (43)	.31 (8)	.51 (13)
RM-5025-SS	RM-5025-SS-B	M50 x 1.5	M25 x 1.5	2.17 (55)	.35 (9)	.59 (15)
RM-5032-SS	RM-5032-SS-B	M50 x 1.5	M32 x 1.5	2.17 (55)	.35 (9)	.59 (15)
RM-5040-SS	RM-5040-SS-B	M50 x 1.5	M40 x 1.5	2.17 (55)	.35 (9)	.59 (15)
RM-6332-SS	RM-6332-SS-B	M63 x 1.5	M32 x 1.5	2.56 (65)	.39 (10)	.65 (16.5)
RM-6340-SS	RM-6340-SS-B	M63 x 1.5	M40 x 1.5	2.56 (65)	.39 (10)	.65 (16.5)
RM-6350-SS	RM-6350-SS-B	M63 x 1.5	M50 x 1.5	2.56 (65)	.39 (10)	.65 (16.5)

Adapter, Reducer & Enlarger Applications:

- International machine builder & equipment
- Import / Export oriented projects
- Adapting to domestic markets

303 Stainless Steel Thread Reducers: Metric to Metric Threads						
Part Numbers		Threads		Dimensions in Inches (mm)		
Without O-Ring	With Buna-N O-Ring	Male Thread A	Female Thread B	F	TL	H
				Wrench Flat	Thread Length	Height
RP-0907-SS	RQ-0907-SS	PG 9	PG 7	.67 (17)	.24 (6)	.34 (8.8)
RP-1107-SS	RQ-1107-SS	PG 11	PG 7	.87 (22)	.24 (6)	.35 (9)
RP-1109-SS	RQ-1109-SS	PG 11	PG 9	.87 (22)	.24 (6)	.35 (9)
RP-1309-SS	RQ-1309-SS	PG 13/13.5	PG 9	.87 (22)	.26 (6.5)	.37 (9.5)
RP-1311-SS	RQ-1311-SS	PG 13/13.5	PG 11	.87 (22)	.26 (6.5)	.37 (9.5)
RP-1609-SS	RQ-1609-SS	PG 16	PG 9	.94 (24)	.26 (6.5)	.37 (9.5)
RP-1611-SS	RQ-1611-SS	PG 16	PG 11	.94 (24)	.26 (6.5)	.37 (9.5)
RP-1613-SS	RQ-1613-SS	PG 16	PG 13/13.5	.94 (24)	.26 (6.5)	.37 (9.5)
RP-2111-SS	RQ-2111-SS	PG 21	PG 11	1.18 (30)	.28 (7)	.41 (10.3)
RP-2113-SS	RQ-2113-SS	PG 21	PG 13/13.5	1.18 (30)	.28 (7)	.41 (10.3)
RP-2116-SS	RQ-2116-SS	PG 21	PG 16	1.18 (30)	.28 (7)	.41 (10.3)
RP-2916-SS	RQ-2916-SS	PG 29	PG 16	1.57 (40)	.31 (8)	.45 (11.5)
RP-2921-SS	RQ-2921-SS	PG 29	PG 21	1.57 (40)	.31 (8)	.45 (11.5)
RP-3621-SS	RQ-3621-SS	PG 36	PG 21	1.97 (50)	.35 (9)	.49 (12.5)
RP-3629-SS	RQ-3629-SS	PG 36	PG 29	1.97 (50)	.35 (9)	.49 (12.5)
RP-4229-SS	RQ-4229-SS	PG 42	PG 29	2.24 (57)	.39 (10)	.53 (13.5)
RP-4236-SS	RQ-4236-SS	PG 42	PG 36	2.24 (57)	.39 (10)	.53 (13.5)
RP-4836-SS	RQ-4836-SS	PG 48	PG 36	2.52 (64)	.39 (10)	.53 (13.5)
RP-4842-SS	RQ-4842-SS	PG 48	PG 42	2.52 (64)	.39 (10)	.53 (13.5)

Buna-N O-Rings can be substituted with Silicone or FKM O-Rings (see page 29). To order, add "-S" (Silicone) or "-V" (FKM) to part number (e.g. RM-1612-SS-V).



Reducers are also available with the following approvals:



www.SealconEX.com

See page 56 for thread specifications.