

“Stay Connected” with



Liquid Tight Cordgrips

a PennEngineering® Company

## Heyco® -Tite Liquid Tight Cordgrips

Right Angle, Metric Hubs with Integral Sealing Ring

The Ultimate in Liquid Tight Strain Relief Protection

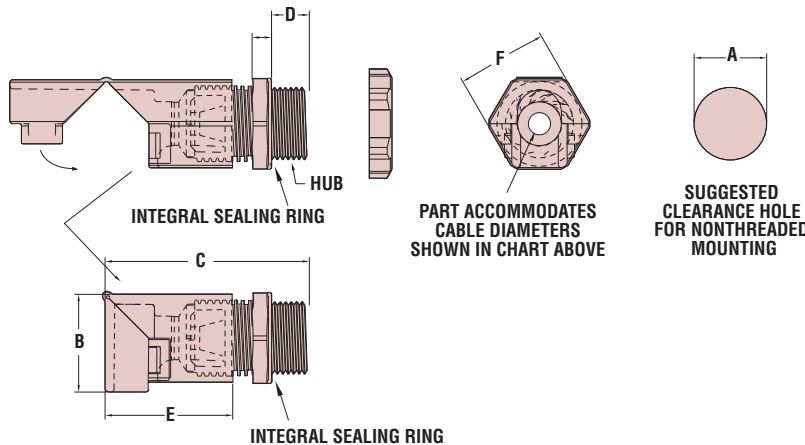
Patented Fold Over Design

**NO O-RING  
REQUIRED!**



| CABLE DIA. RANGE |            | PART NO. |       | DESCRIPTION  | UL or RA | PART DIMENSIONS     |                    |                          |               |                    |                         |     |      |      |      |     |      |
|------------------|------------|----------|-------|--------------|----------|---------------------|--------------------|--------------------------|---------------|--------------------|-------------------------|-----|------|------|------|-----|------|
|                  |            | Black    | Gray  |              |          | A                   | B                  | C                        |               | D                  |                         | E   |      | F    |      |     |      |
| in.              | mm.        |          |       |              |          | Clearance Hole Dia. | Right Angle Height | Max O.A. Length (Closed) | Thread Length | Sealing Nut Length | Wrenching Nut Flat Size |     |      |      |      |     |      |
|                  |            |          |       |              |          | in.                 | mm.                | in.                      | mm.           | in.                | mm.                     | in. | mm.  | in.  | mm.  |     |      |
| .065 - .210      | 1,7 - 5,3  | M4448    | M4449 | RLTCG M12 90 | RA       | .473                | 12,0               | .69                      | 17,5          | 1,53               | 38,8                    | .32 | 8,1  | .86  | 22,0 | .63 | 16,0 |
| .115 - .250      | 2,9 - 6,4  | M4450    | M4451 | LTCG M12 90  |          |                     |                    |                          |               |                    |                         |     |      |      |      |     |      |
| .065 - .230      | 1,7 - 5,8  | M4452    | M4453 | RLTCG M16 90 | RA       | .630                | 16,0               | .88                      | 22,3          | 1,77               | 44,9                    | .32 | 8,1  | 1,07 | 27,1 | .82 | 20,8 |
| .105 - .315      | 2,7 - 8,0  | M4454    | M4455 | LTCG M16 90  |          |                     |                    |                          |               |                    |                         |     |      |      |      |     |      |
| .095 - .290      | 2,4 - 7,4  | M4456    | M4457 | RLTCG M20 90 | UL       | .787                | 20,0               | 1,06                     | 26,9          | 2,21               | 56,1                    | .41 | 10,4 | 1,38 | 35,1 | .98 | 24,9 |
| .170 - .450      | 4,3 - 11,4 | M4458    | M4459 | LTCG M20 90  |          |                     |                    |                          |               |                    |                         |     |      |      |      |     |      |

Standard colors black and gray.



- Cordgrip is molded in the open position for ease of installation. After cable insertion, the cordgrip snaps closed, bending the cable without damage. This assembly method saves considerable time and money.
- Part design provides liquid tight integrity even in the open position.
- Integral Sealing Ring ensures a superior seal at the clearance or threaded mounting hole location, every time.
- Widest range of approved cable dimensions.
- IP 68 rated.
- Approved for **NEMA 4, 4X, 6 and 6P** applications.
- Acme threads on body prevent skipping and speed installation.
- All nylon construction with Buna N or TPE sealing gland resists salt water, weak acids, gasoline, alcohol, oil, grease, and common solvents. (This feature is not assessed by UL.)
- We recommend using the fitting with the smallest maximum diameter that will fit your application.
- **Patented.**
- CE Low Voltage Directive 73/23/EEC.
- VDE Marks License #40010390
- **Unassembled Nylon Locknuts INCLUDED.**
- For Heyco Liquid Tight Threaded Plugs, see page 3-51.
- Consult Heyco for cordgrips molded in other colors.

|                     |  |
|---------------------|--|
| Material            | Nylon 6/6 w/Buna N or TPE Sealing Gland  |
| Certifications      | <ul style="list-style-type: none"> <li> Listed under Underwriters' Laboratories File E51579</li> <li> Recognized under Components Program of Underwriters' Laboratories File E51579</li> <li> Certified by Canadian Standard Association File 93876C<br/>Approved for NEMA 4, 4X, 6 and 6P Applications</li> <li> VDE Marks License #40010390</li> <li> Low Voltage Directive 73/23/EEC</li> </ul> |
| Flammability Rating | 94V-2  |
| Temperature Range   | Static -40°F (-40°C) to 239°F (115°C)<br>Dynamic -4°F (-20°C) to 212°F (100°C)   |
| IP Rating           | IP 68 (70 PSI, 5 BAR)  |

*Quick  
Specs*