

“Stay Connected” with



Liquid Tight Cordgrips

a PennEngineering® Company



Heyco® -Tite Snap-In-2® Liquid Tight Cordgrips

Straight-Thru, Snap-In Hubs

For Panels from .062" (1,6 mm) to .125" (3,2 mm) Thick

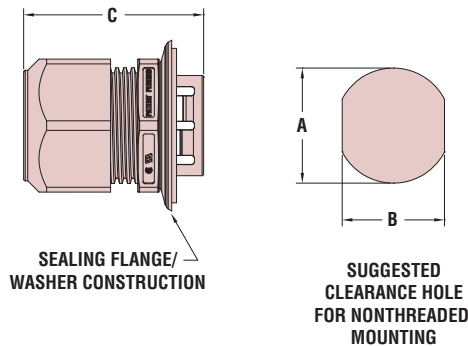
The Ultimate in Liquid Tight Strain Relief Protection

NO LOCKNUT REQUIRED!

- Easy installation—unique fingers securely snap into a range of panel thicknesses – up to .125" (3,2 mm) – with no tools or locknuts required.
- Sealing flange prevents sealing washer displacement due to water velocity to ensure a liquid tight IP 65 seal.
- Eliminate need for locknut or threaded hole to achieve liquid tight seal at panel; perfect for low clearance installation where locking nut access is limited.
- Ratchet design of sealing nut assembly provides superior anti-vibration and ensures a firm grip on the cable.
- Foam washer included.
- Rotation prevented when used in Double D mounting holes.
- For Double D Mounting Hole Punches, see page 4-30.
- Available in multiple sizes for flexible cord diameters ranging from .065" (1,7 mm) to 1.000" (25,4 mm).
- We recommend using the fitting with the smallest maximum diameter that will fit your application.
- Consult Heyco for cordgrips molded in other colors.

CABLE DIA. RANGE				PART NO.	DESCRIPTION	UL or IEC	PANEL DIMENSIONS					
Minimum		Maximum					Black	A Mounting Hole Dia.		B To Prevent Rotation		C Max. O.A. Length
in.	mm.	in.	mm.			in.		mm.	in.	mm.	in.	mm.
.065	1,7	.210	5,3	M3802	LTRSCG 500	UL	.500	12,7	.450	11,4	1.21	30,7
.115	2,9	.250	6,4	M3800	LTSCG 500							
.065	1,7	.230	5,8	M3808	LTRSCG 625	UL	.625	15,9	.550	14,0	1.30	33,0
.105	2,7	.315	8,0	M3806	LTSCG 625							
.069	1,8	.250	6,4	M3814	LTRSCG 750	UL	.750	19,1	.660	16,8	1.48	37,6
.230	5,8	.395	10,0	M3812	LTSCG 750							
.095	2,4	.260	6,6	M3820	LTRSCG 875	UL	.875	22,2	.770	19,6	1.46	37,1
.170	4,3	.450	11,4	M3818	LTSCG 875							
.180	4,6	.440	11,2	M3826	LTRSCG 1000	UL	1.000	25,4	.875	22,2	1.62	41,1
.260	6,6	.546	13,9	M3824	LTSCG 1000							
.250	6,4	.485	12,3	M3838	LTRSCG 1125	UL	1.125	28,6	1.000	25,4	1.75	44,5
.485	12,3	.709	18,0	M3836	LTSCG 1125							
.490	12,4	.787	20,0	M3844	LTRSCG 1250	UL	1.250	31,8	1.125	28,6	2.05	52,1
.590	15,0	.920	23,4	M3842	LTSCG 1250							
.490	12,4	.787	20,0	M3850	LTRSCG 1375	UL	1.375	34,9	1.250	31,8	2.05	52,1
.590	15,0	1.000	25,4	M3848	LTSCG 1375							

Standard color black.



Quick Specs

Material	Nylon 6/6 w/Buna N or TPE Sealing Gland
Certifications	UL Recognized under Components Program of Underwriters' Laboratories File E51579 CSA Certified by Canadian Standard Association File 93876C
Flammability Rating	94V-2
Temperature Range	Static -40°F (-40°C) to 239°F (115°C) Dynamic -4°F (-20°C) to 212°F (100°C)
IP Rating	IP 65