

“Stay Connected” with



Liquid Tight Cordgrips

a PennEngineering® Company



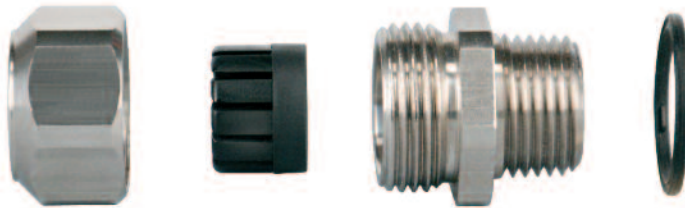
HEYbrid™ Stainless Steel Liquid Tight Cordgrips

Straight-Thru, Pg Hubs

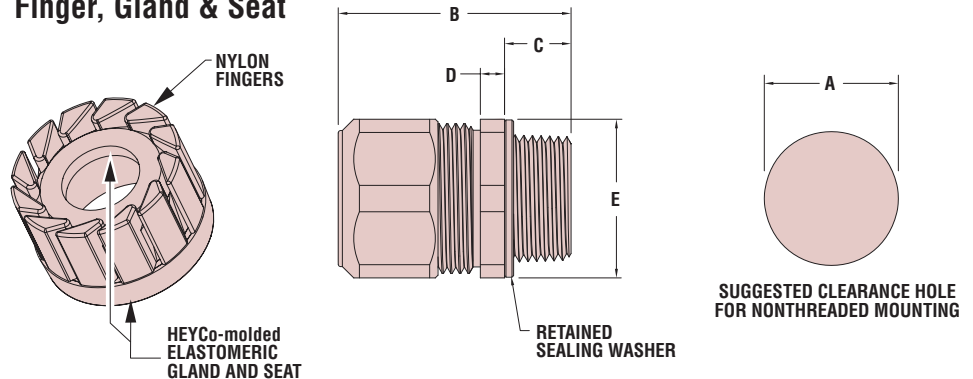
Don't get SKU'ed: More Cable Range, Fewer SKU's –
Genetically engineered to destroy your inventory monster!
The Ultimate in Liquid Tight Strain Relief Protection

- HEYCo-molded gripping finger/gland technology accommodates the **widest cable range** over the **fewest sku's**.
- Rolled grease-free threads **prevent galling** and allow for multiple assemblies and disassemblies. No messy, unsightly thread lubrication required.
- Approved for **NEMA 4, 4X, 6 and 6P** applications.
- Self-retaining sealing rings eliminate the need for an O-Ring groove, thus **reducing cost**.
- Typical applications: Control cabinets, marine, car washes, hot tubs, instrumentation, carpet cleaning machines, food processing equipment, underground for direct burial or submersed up to 130 ft. (70 PSIG).
- Ideal for corrosive environments.
- Constructed from corrosion resistant 303 stainless steel.
- Resistant to salt water, acids and most chemicals.
- Locknuts not included. To order locknuts separately, see page 3-48.
- Patent pending.
- DFARS Compliant

CABLE DIA. RANGE				PART NO.	DESCRIPTION	or UL	PART DIMENSIONS									
Minimum		Maximum					A Clearance Hole Dia.	B Max. O.A. Length		C Thread Length		D Wrenching Nut Thickness		E Nut Flat Size		
in.	mm.	in.	mm.				in.	mm.	in.	mm.	in.	mm.	in.	mm.		
HEYCo-molded Finger/Gland																
.065	1,7	.210	5,3	M6030	RSSCG PG7	cULus	.492	12,5	1.24	31,5	.35	8,9	.20	5,1	.75	19,1
.115	2,9	.250	6,4	M6031	SSCG PG7											
.065	1,7	.230	5,8	M6032	RSSCG PG9	cULus	.599	15,2	1.31	33,3	.34	8,6	.20	5,1	.88	22,4
.105	2,7	.315	8,0	M6033	SSCG PG9											
.095	2,4	.290	7,4	M6036	RSSCG PG13.5	cULus	.804	20,4	1.58	40,1	.42	10,7	.20	5,1	1.06	26,9
.170	4,3	.450	11,4	M6037	SSCG PG13.5											
.180	4,6	.400	10,2	M6038	RSSCG PG16	cULus	.886	22,5	1.73	43,9	.45	11,4	.20	5,1	1.25	31,8
.260	6,6	.545	13,8	M6039	SSCG PG16											
.250	6,4	.490	12,4	M6040	RSSCG PG21	cULus	1.115	28,3	1.91	48,5	.53	13,5	.20	5,1	1.31	33,3
.435	11,0	.705	17,9	M6041	SSCG PG21											
.490	12,4	.785	19,9	M6042	RSSCG PG29	cULus	1.470	37,3	2.19	55,6	.59	15,0	.20	5,1	1.75	44,5
.590	15,0	1.000	25,4	M6043	SSCG PG29											



The HEYCo-molded Finger, Gland & Seat



Quick Specs

Material	303 Stainless Steel Body and sealing nut with nylon 6/6 and TPE co-molded finger/gland assembly SBR Sealing Washer
Certifications	cULus Listed under Underwriters' Laboratories File E51579 cULus Recognized under Underwriters' Laboratories File E51579
Flammability Rating	94V-2
Temperature Range	-40°F (-40°C) to 221°F (105°C)
IP Rating	IP68 (70 PSI, 5 BAR)