

HellermannTyton

DATA SHEET

406-08031 boot: RFS 77000250

DESCRIPTION

A heat-shrinkable, flexible, halogen free, flame retarded, adhesive lined modified polyolefin boot with excellent fire safety properties and an operating temperature range of -55°C to +105°C.

APPLICATION

Harnessing for limited fire hazard environments in telecom applications.

MATERIAL PROPERTIES

Properties	Typical Results	Test Method
Tensile Strength	15 MPa	IEC 540
Elongation	500%	IEC 540
Dielectric Strength	15 kV/mm	ASTM D2671
Water Absorption at 25°C	0.05%	ASTM D570
Solvent Resistance Water IPA Insulating Oil	Excellent Good Good	IEC 62677
Flammability	HB	ASTM D635
Thermal Ageing (168 hours / 175°C)	14 MPa / 520%	IEC 540
Thermal Shock (4 hours / 225°C)	Pass	ASTM D2671
Copper Corrosion at 175°C	Pass	IEC 62677
Low Temperature Flexibility (-55°C)	Pass	ASTM D2671 Method C
Standard Colour	Black	
Shelf Life	5 years	
Minimum Shrink Temperature	135°C	

ADHESIVE PROPERTIES

Properties	Typical Results	Test Method
Softening Point	95°C	ASTM E28
Peel Strength for: XLPE / Metal XLPE / XLPE	80 N/25mm 250 N/25mm	VG 95-343 Pt 14
Lap Shear Strength for: XLPE / Metal XLPE / XLPE	200 N 225 N	VG 95-343 Pt 15 (12.5mm x 25mm)
Solvent Resistance	Fair under splash conditions.	
Dynamic Shear at 23°C	365 N	VG 95-343 Pt 14

MATERIAL STANDARDS

Approved to:

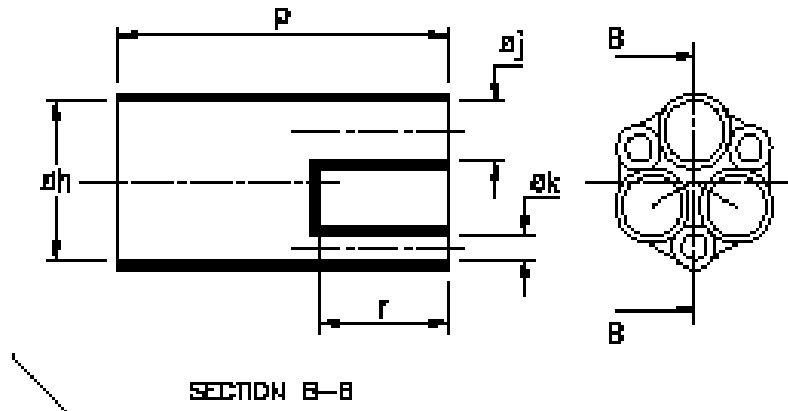
Conforms to: ESI 09-11, EC 62677-3-101 (standard in preparation),

Issue 2

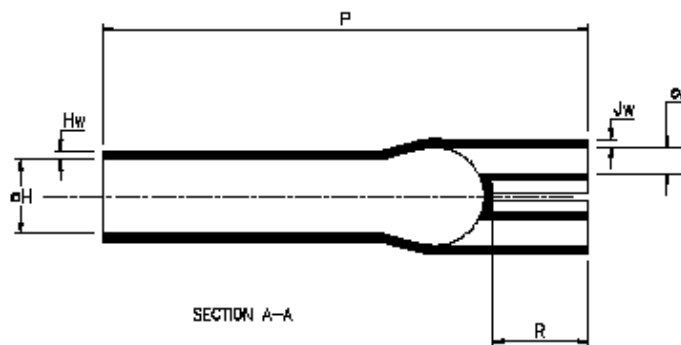
Plymouth International Medical & Technology Park,
William Prance Road, Plymouth, Devon PL6 5WR, England
Telephone: +44 (0) 1752 701261; Fax: +44 (0) 1752 790058

02-2014

DRAWING



Expanded (as supplied)



Recovered

RFS number	UNS	Expanded Dimensions					Recovered Dimensions				
		h Min.	j ±5%	k	r ±5%	p nom	H Max.	J & K Max.	P ± 10%	R ± 10%	Hw & Jw ± 20%
77000250	406-08031	40.0	19.1	12.0	44.4	125	36.8	8.9	139.7	56.5	3.2

All dimensions in mm, refer to product drawing for full dimensional details