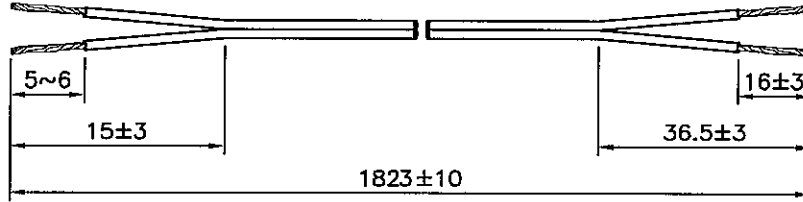
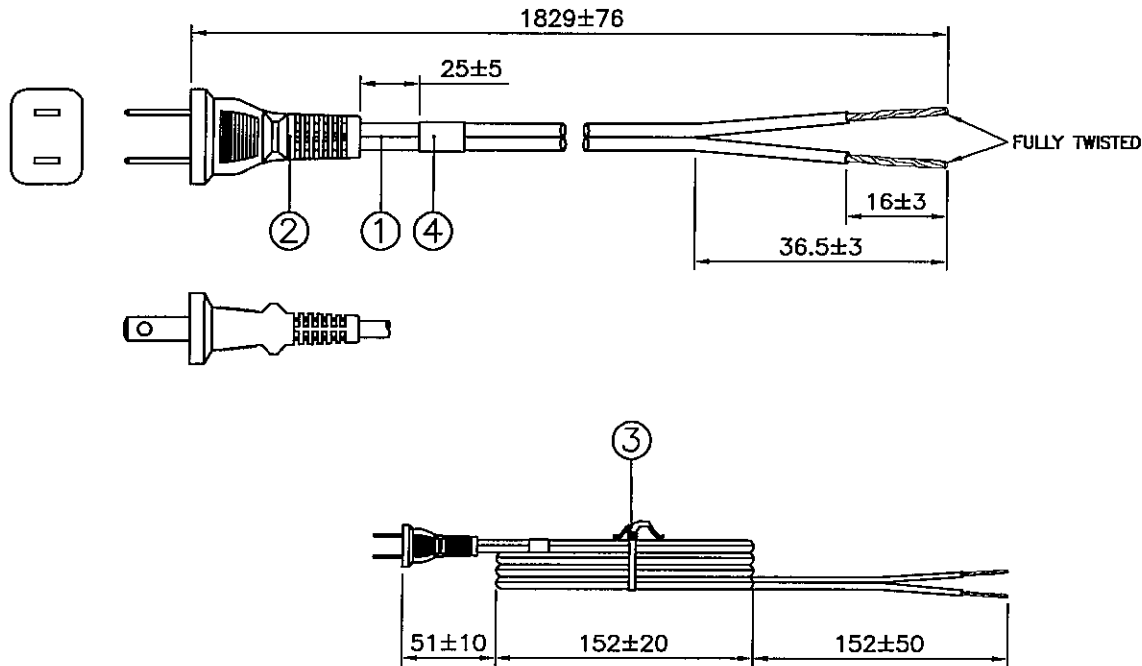


DRAWING NUMBER: 1108650
 REVISION: D

CABLE CUTTING
 CABLE SOURCE :
 1. TA TUN(DONG GUAN).



ASSEMBLY :



Notes :

1. ALL DIMENSIONS IN mm.
2. PLUG MARKING : REFER TO MARKING DRAWING NO. : VP-0101F.
3. PLUG DETAILS : REFER TO PRODUCT DRAWING NO. : P-0164.
4. LABEL DETAILS : REFER TO LABEL DRAWING NO. : VL-0234.
5. THIS PART CAN BE MANUFACTURED AT ANY LOCATION WHICH HAS SAFETY APPROVAL.

REV.	ECR REF. NO.	DESCRIPTION	DATE
C	120243	REMOVE CABLE SOURCE 'YONG TAI'.	27/04/12
D	150232	CHANGE PLUG MARKING DWG. NO. FM. 'VP-0101A' TO 'VP-0101F'.	13/05/15

4	PRINTED LABEL	VL-0234	1
3	6" PE TIE BLK	6310056	1
	IP40G NL792B BLK	4100017	-
2	MOLDED PLUG ME301R (10A 125V)	ME301R	1
1	HPN 18/2 105°C BLK	1610028	1.823M

S/N	DESCRIPTION	ITEM NUMBER	QTY
-----	-------------	-------------	-----

TITLE : NORTH-AMERICAN POWER SUPPLY CORD (CS-LF0001) PAGE : 1/2

CUSTOMER : VIS/VOLEX INC HG12-096-07

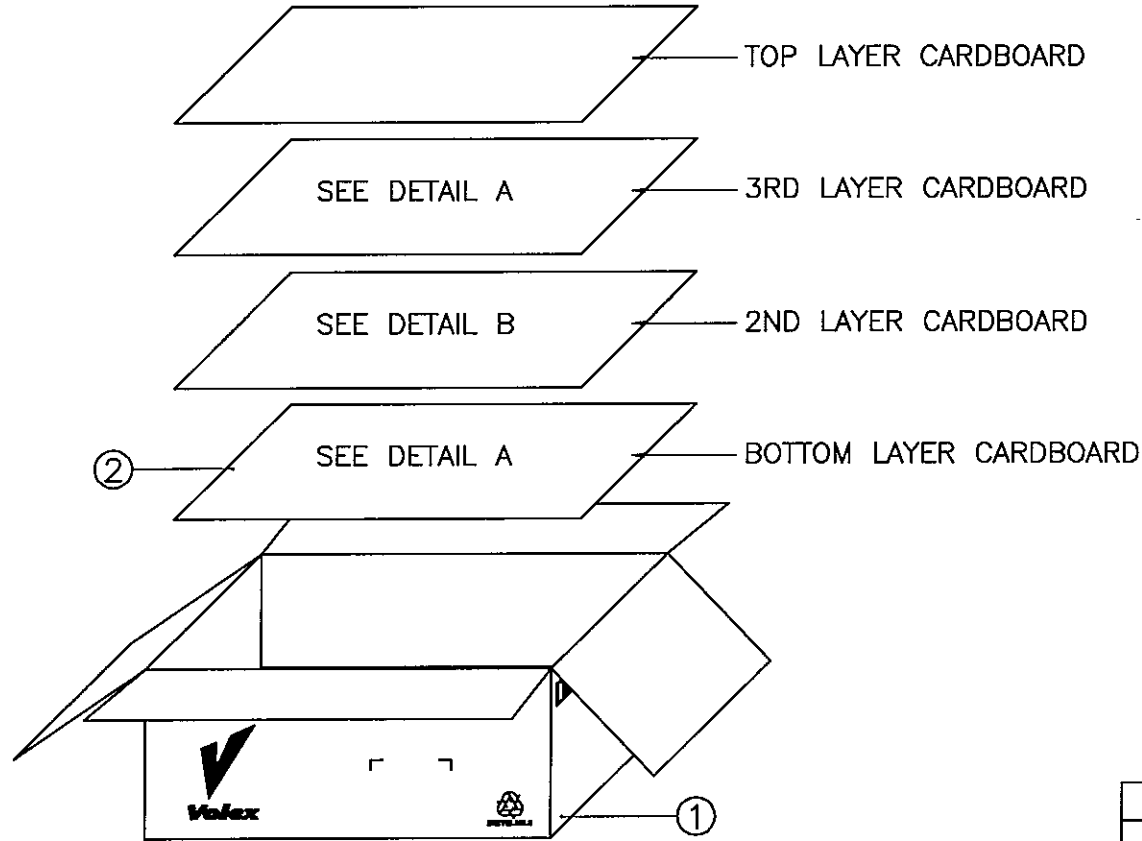
CUSTOMER PART NUMBER : 40806 10 DWG. TYPE

F/G CODE : 40806 10 SPEC NO.: --- OED

SALES : N.A.	QA : N.A.	ENGRG : Feng	CHECKED BY : TRACEY	DRAWN BY : TRACEY	Volex (Asia) Pte Ltd <small>Confidential property of Volex. Information contained herein shall not be disclosed to others, reproduced or used for any other purpose except as authorized in writing by an authorized official of Volex Asia</small>
DATE : N.A.	DATE : N.A.	DATE : 15/05/15	DATE : 13/05/15	DATE : 13/05/15	

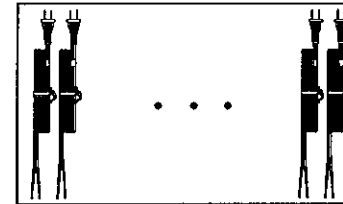
DRAWING NUMBER :

1108650

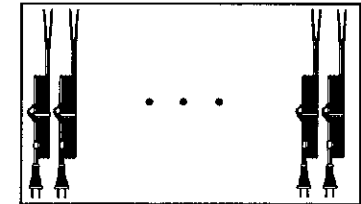


PACKAGING INSTRUCTION

1. 50 PCS PER LAYER, 3 LAYERS PER CARTON.
2. ALL CORDS LAYOUT AS DETAIL.
3. PACKAGING : 150 PCS PER CARTON.



DETAIL A



DETAIL B

2	CARTON PAPER 550X305MM	901024	0.0267
1	LONG CARTON 560X330X250MM	901011	0.0067
S/N	DESCRIPTION	ITEM NUMBER	QTY

REVISION	D	TITLE : PACKAGING SPEC.
PAGE	2/2	
SCALE	N.T.S.	

REFERENCE :	DESCRIPTION : CARTON BOX	<i>Volex (Asia) Pte Ltd</i>
		<small>Confidential property of Volex. Information contained herein shall not be disclosed to others, reproduced or used for any other purpose except as authorized in writing by an authorized official of Volex Asia.</small>

NOTE :

1.) ALL DIMENSIONS IN mm.