

40834-I



UPC Code: 07847752634

Country of Origin: Taiwan - **Eligible for
ARRA funded projects > \$7,443,000*



Brand Features

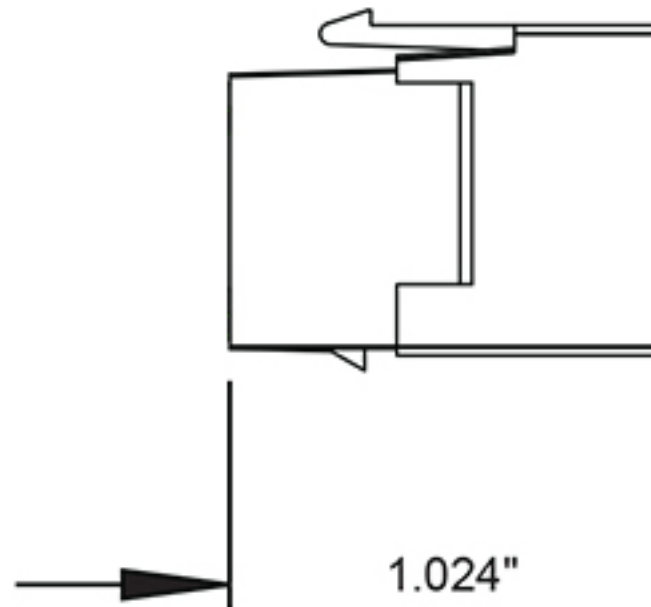
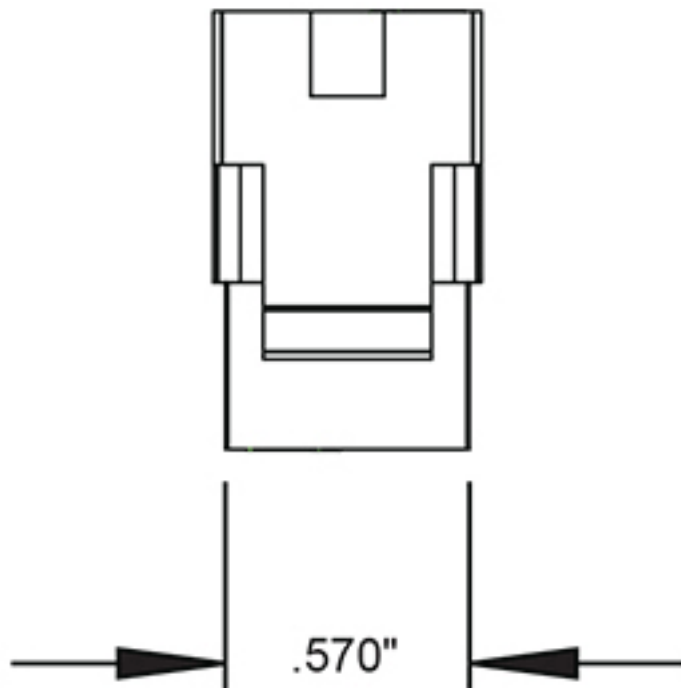
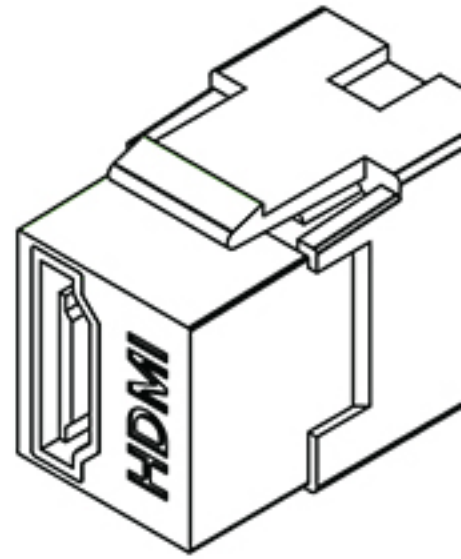
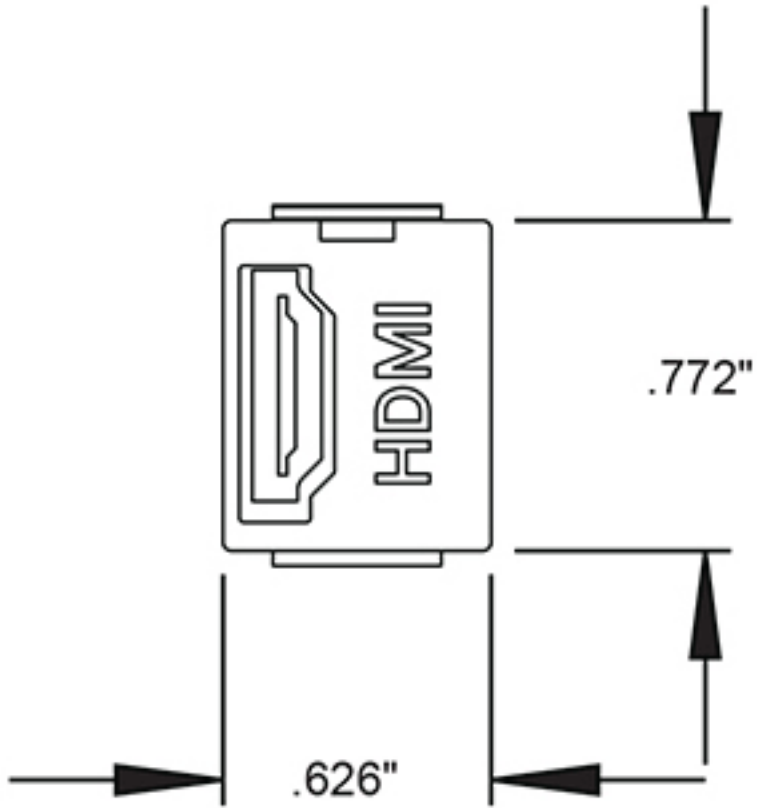
Use HDMI (High Definition Multimedia Interface) Feedthrough QuickPort Connectors for a customized high-definition media center. The standards compliant connectors are compatible with all HDMI sources, including HDTVs and projectors. HDMI products transmit both audio and video signals. The HDMI connectors are compatible with QuickPort wallplates and housings. They are manufactured from high-quality ABS plastic and are available in white, ivory, light almond, and black.

Item Description

HDMI Feedthrough QuickPort Connector, Ivory Housing

Features and Benefits

- Used for high-definition audio and video
- Snaps easily into QuickPort housing or wallplate
- Female-to-female connectors for easy installation
- Cleaner install with in-wall wiring



SPECIFICATION SUBMITTAL

JOB NAME:	CATALOG NUMBERS:	
<input type="text"/>	<input type="text"/>	<input type="text"/>
JOB NUMBER:	<input type="text"/>	<input type="text"/>

Leviton Manufacturing Co., Inc.

201 North Service Road, Melville, NY 11747

Telephone: 1-800-323-8920 · FAX: 1-800-832-9538 · Tech Line (8:30AM-7:30PM E.S.T. Monday-Friday): 1-800-824-3005

Leviton Manufacturing of Canada, Ltd.

165 Hymus Boulevard, Pointe Claire, Quebec H9R 1E9 · Telephone: 1-800-469-7890 ·

FAX: 1-800-824-3005 · www.leviton.com/canada

Leviton S. de R.L. de C.V.

Lago Tana 43, Mexico DF, Mexico CP 11290 · Tel.: (+52)55-5082-1040 · FAX: (+52)5386-1797 · www.leviton.com.mx

Visit our Website at: www.leviton.com

© 2012-2016 Leviton Manufacturing Co., Inc. All rights reserved. Subject to change without notice.



Leviton has a global presence.

If you would like to know where your local Leviton office is located please go to: www.leviton.com/international/contacts/

**Buy American Compliant Logo -- The American Recovery And Reinvestment Act of 2009 ("ARRA") provides federal grants and loans for projects throughout the country. Section 1605 of the Act, named the "Buy American" provision, requires that certain materials and manufactured products used in projects funded by the Act be manufactured in the United States. The appearance of the Recovery Act Logo in relation to a Leviton product is only intended to reflect that such product may be used in an ARRA funded project. It does not mean that such product or Leviton is sponsored or endorsed by, or that Leviton receives funds from, the federal government or the Recovery Accountability and Transparency Board. Nothing in Leviton's use of the logo is intended to suggest anything regarding the requirements for funding under ARRA.*