

Stainless-Steel QuickPort® Phone Wallplates

APPLICATION

Leviton Stainless-Steel QuickPort Phone Wallplates are designed with rivets to support a variety of wall-mount telephones while offering field-configurable flexibility. Single-port opening accepts QuickPort snap-in connectors and adapters to support a variety of commercial and residential applications. The wallplates are available in flush or recessed versions; the flush version allows the QuickPort connector to rest flush with the wallplate; the recessed version allows the connector to extend out from the plate and fit cleanly with a telephone's slide-rail mechanism.



SPECIFICATION

The Stainless-Steel QuickPort Phone Wallplate shall be cULus Listed and meet ANSI/TIA-568-C.0 standards. It shall be constructed with Type 302 stainless steel, fit minimum rectangular NEMA openings, and accept all QuickPort snap-in connectors and adapters. It shall be available in recessed and flush designs.

FEATURES

- Compatible with any Leviton QuickPort connector
- Easily mounts any standard-size wallphone
- The recessed design (4108W-1SP) fits cleanly with slide-rail mechanisms
- Brushed stainless steel

DESIGN CONSIDERATIONS

- Accepts all QuickPort snap-in connectors and adapters
- Stainless-steel plate is durable and corrosion resistant
- Fits minimum rectangular NEMA openings
- Available in recessed and flush designs

STANDARDS COMPLIANCE

- cULus Listed (UL 1863 & CAN/CSA-C22.2 No. 182.4)
- ANSI/TIA-568-C.0

PHYSICAL SPECIFICATIONS

Dimensions: See page two
Materials: Type 302 stainless steel
Capacity: Single-gang, 1-port version (flush and recessed)

COUNTRY OF ORIGIN

Taiwan

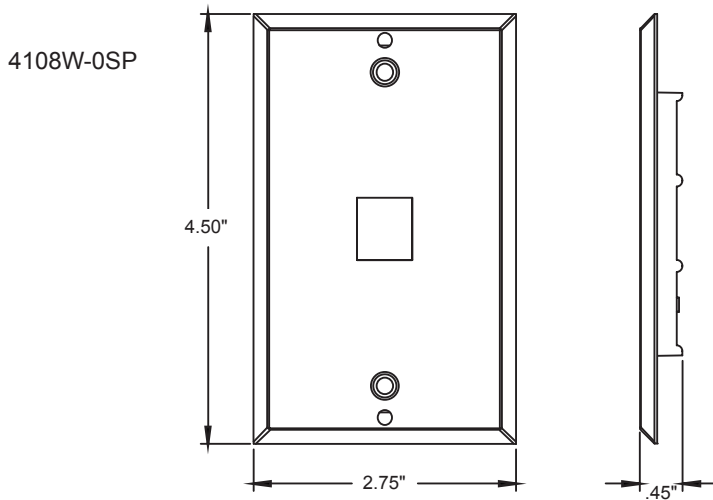
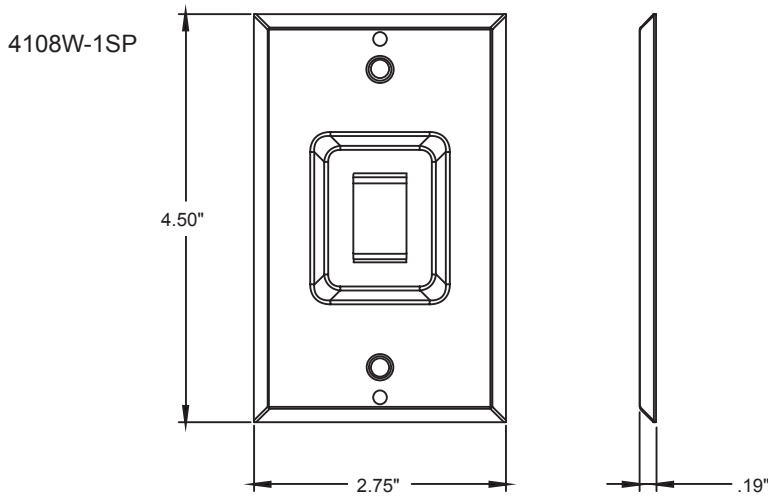
WARRANTY INFORMATION

For a copy of Leviton product warranties, visit www.leviton.com/warranty.

ELECTRONIC FILES

For CAD files, typical specs, or technical drawings (.DXF, .DWG), visit www.leviton.com.

4108W-xSP



PART NUMBERS

Description	Part No.
Stainless-Steel QuickPort® Phone, Recessed, 1 Port	4108W-1SP
Stainless-Steel QuickPort Phone, Flush, 1 Port	4108W-0SP



Leviton Network Solutions
 2222 - 222nd St. SE
 Bothell, WA 98021-4416

Asia / Pacific
 T +1.631.812.6228
 E infoasean@leviton.com

Canada
 T +1.514.954.1840
 E pcservice@leviton.com

Caribbean
 T +1.954.593.1896
 E infocaribbean@leviton.com

China
 T +852.2774.9876
 E infochina@leviton.com

Colombia
 T +57.1.743.6045
 E infocolombia@leviton.com

tel 1-800-824-3005
 tel +1-425-486-2222
 appeng@leviton.com
 www.leviton.com

Europe
 T +33.6.8869.1380
 E infoeurope@leviton.com

India / SAARC
 T +971.4.886.4722
 E infoindia@leviton.com

Mexico
 T +52.55.5082.1040
 E lsamarketing@leviton.com

Middle East & Africa
 T +971.4.886.4722
 E lmeinfo@leviton.com

South Korea
 T +82.2.3273.9963
 E infokorea@leviton.com