

## Duplex SC Fiber Adapter MOS Modules

### APPLICATION

For configuring single-mode and multimode SC fiber connectivity in the Multimedia Outlet System (MOS). All MOS modules snap into MOS wallplates and surface-mount housings from the front or side.



### FEATURES

- Can be used with single-mode and multimode fiber
- Modules load into housings from the front or side
- Available in four colors: white, ivory, grey, and black
- Available in 1, 1.5, 2, and 3 units high

### DESIGN CONSIDERATIONS

- Modules fit MOS housings and wallplates only
- 1.5, 2, and 3-unit-high modules have a 45-degree exit/angle
- Use angled modules when a low profile exit is desired
- Place angled modules in bottom of wallplate to allow cable clearance at top of wall opening

### STANDARDS COMPLIANCE

ANSI/TIA-568-C compliant  
 cULus Listed (UL1863, CAN/CSA-C22.2 No. 182.4-M90)

### PHYSICAL SPECIFICATIONS

Dimensions: See page two

Materials: Fire-retardant plastic, rated UL 94V-0  
 SC adapters available with ceramic or metal sleeve  
 SC adapters are multimode/single-mode

Mounting: Snaps into MOS wallplate or surface-mount housing

### COUNTRY OF ORIGIN

Taiwan

### WARRANTY INFORMATION

For a copy of Leviton product warranties, visit [www.leviton.com/warranty](http://www.leviton.com/warranty).

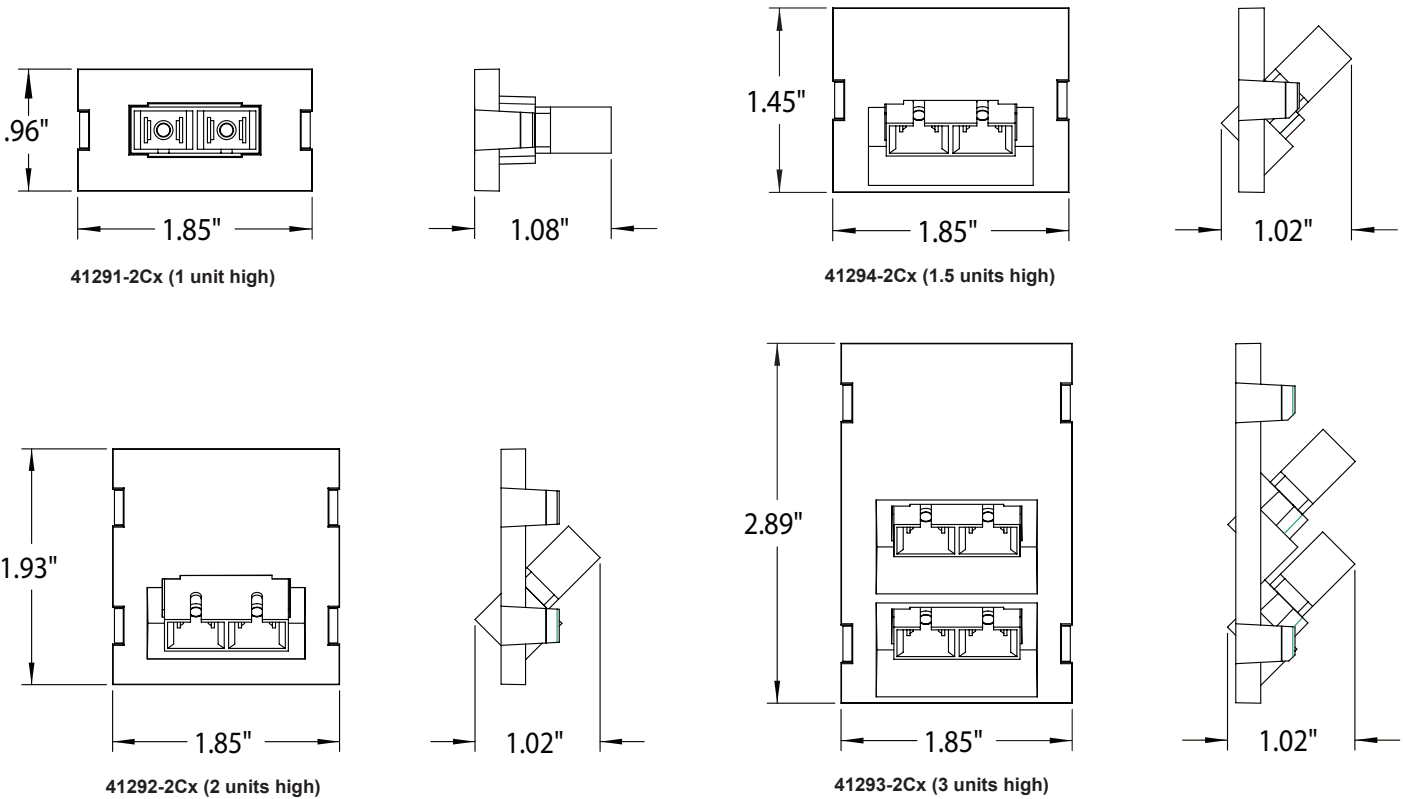
### SPECIFICATION

The outlet adapter modules shall comply with TIA/EIA-568-C requirements. It shall be made of fire-retardant plastic. Adapters shall be type SC with metal or ceramic sleeve for multimode and singlemode application. Modules shall be interchangeable, mounting between various multimedia surface- and flush-mount outlets. Modules shall be capable of maintaining a minimum cable bend-radius within the area of minimum NEMA box enclosures.

### ELECTRONIC FILES

For CAD files, typical specs, or technical drawings (.DXF, .DWG), visit [www.leviton.com](http://www.leviton.com).

41291-2Cx, 41294-2Cx, 41292-2Cx, 41293-4Cx



**41291-2Cx, 41294-2Cx, 41292-2Cx, 41293-4Cx**

**DUPLEX SC FIBER ADAPTER MOS MODULES**

Description	White	Ivory	Grey	Black
1 Duplex SC, zirconia ceramic, SM/MM, 1 unit high	41291-2CW	41291-2CI	41291-2CG	41291-2CE
1 Duplex SC, zirconia ceramic, SM/MM, 1.5 units high	41294-2CW	41294-2CI	41294-2CG	41294-2CE
1 Duplex SC, zirconia ceramic, SM/MM, 2 units high	41292-2CW	41292-2CI	41292-2CG	41292-2CE
2 Duplex SC, zirconia ceramic, SM/MM, 3 units high	41293-4CW	41293-4CI	41293-4CG	41293-4CE



**Leviton Network Solutions**  
 2222 - 222nd St. SE  
 Bothell, WA 98021-4416

**Asia / Pacific**  
 T +1.631.812.6228  
 E infoasean@leviton.com

**Canada**  
 T +1.514.954.1840  
 E pcservice@leviton.com

**Caribbean**  
 T +1.954.593.1896  
 E infocaribbean@leviton.com

**China**  
 T +852.2774.9876  
 E infochina@leviton.com

**Colombia**  
 T +57.1.743.6045  
 E infocolombia@leviton.com

tel 1-800-824-3005  
 tel +1-425-486-2222  
 appeng@leviton.com  
 www.leviton.com

**Europe**  
 T +33.6.8869.1380  
 E infoeurope@leviton.com

**India / SAARC**  
 T +91.80.4322.5678  
 E infoindia@leviton.com

**Mexico**  
 T +52.55.5082.1040  
 E lsamarketing@leviton.com

**Middle East & Africa**  
 T +971.4.886.4722  
 E lmeinfo@leviton.com

**South Korea**  
 T +82.2.3273.9963  
 E infokorea@leviton.com