

Duplex ST Fiber Adapter MOS Modules For Single-Mode Applications

APPLICATION

For configuring single-mode ST fiber connectivity in the Multimedia Outlet System (MOS). All MOS modules snap into MOS wallplates and surface-mount housings from the front or side.



SPECIFICATION

The outlet adapter modules shall comply with ANSI/TIA-568-C requirements. It shall be made of fire-retardant plastic. Adapters shall be type ST with ceramic sleeve for single-mode application. Modules shall be interchangeable, mounting between various multimedia surface- and flush-mount outlets. Modules shall be capable of maintaining a minimum cable bend-radius within the area of minimum NEMA box enclosures.

FEATURES

- Can be used with single-mode fiber
- Modules load into housings from the front or side
- Available in four colors: white, ivory, grey and black
- Available in 1 and 1.5 units high

DESIGN CONSIDERATIONS

- Modules fit MOS housings and wallplates only
- 1.5-unit high modules have a 45-degree exit/angle
- Use angled modules when a low profile exit is desired
- Place angled modules in bottom of wallplate to allow cable clearance at top of wall opening

STANDARDS COMPLIANCE

ANSI/TIA-568-C compliant

PHYSICAL SPECIFICATIONS

Dimensions: See page two

Materials: Fire-retardant plastic, rated UL 94V-0
ST adapters use zirconia ceramic sleeves

Mounting: Snaps into MOS wallplate or surface-mount housing

COUNTRY OF ORIGIN

Taiwan

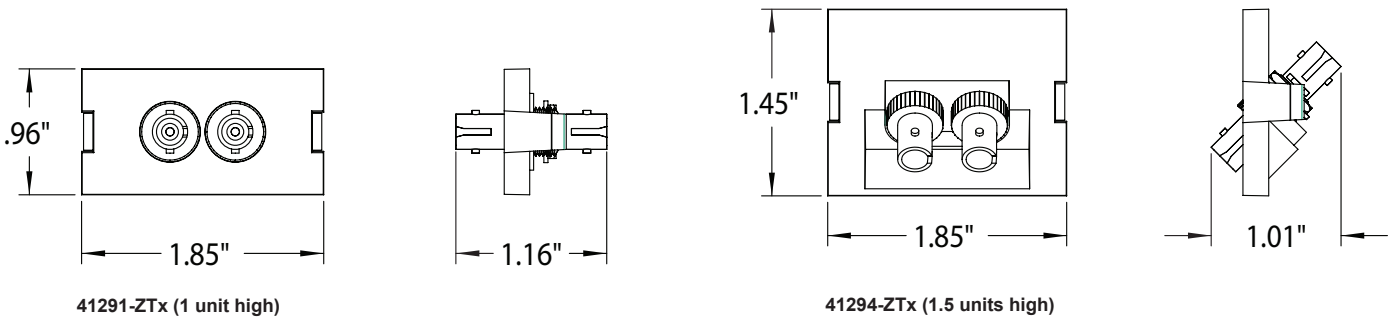
WARRANTY INFORMATION

For a copy of Leviton product warranties, visit www.leviton.com/warranty.

ELECTRONIC FILES

For CAD files, typical specs, or technical drawings (.DXF, .DWG), visit www.leviton.com.

41291-ZTx, 41294-ZTx



41291-ZTx, 41294-ZTx

DUPLEX ST FIBER ADAPTER MOS MODULES

Description	White	Ivory	Grey	Black
1 Duplex ST, zirconia ceramic sleeves, SM, 1 unit high	41291-ZTW	41291-ZTI	41291-ZTG	41291-ZTE
1 Duplex ST, zirconia ceramic sleeves, SM, 1.5 unit high	41294-ZTW	41294-ZTI	41294-ZTC	41294-ZTE



Leviton Network Solutions
 2222 - 222nd St. SE
 Bothell, WA 98021-4416

Asia / Pacific
 T +1.631.812.6228
 E infoasean@leviton.com

Canada
 T +1.514.954.1840
 E pcservice@leviton.com

Caribbean
 T +1.954.593.1896
 E infocaribbean@leviton.com

China
 T +852.2774.9876
 E infochina@leviton.com

Colombia
 T +57.1.743.6045
 E infocolombia@leviton.com

tel 1-800-824-3005
 tel +1-425-486-2222
 appeng@leviton.com
 www.leviton.com

Europe
 T +33.6.8869.1380
 E infoeurope@leviton.com

India / SAARC
 T +91.80.4322.5678
 E infoindia@leviton.com

Mexico
 T +52.55.5082.1040
 E lsamarketing@leviton.com

Middle East & Africa
 T +971.4.886.4722
 E lmeinfo@leviton.com

South Korea
 T +82.2.3273.9963
 E infokorea@leviton.com