

42437-2 ✓ ACTIVE

FASTON | FASTON 250

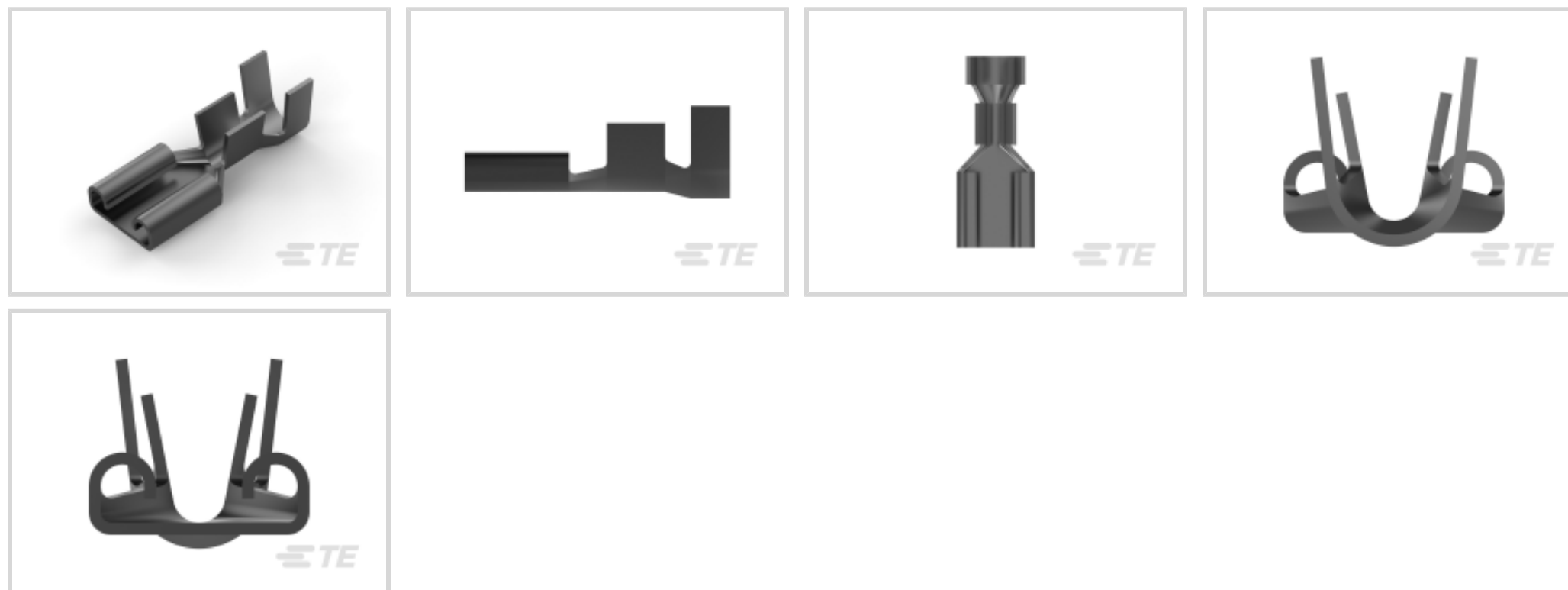
TE Internal #: 42437-2

Quick Disconnect Receptacle, 14 – 10 AWG Wire Size, 2.08 – 5.26 mm² Wire Size, Mating Tab Width 6.35 mm [.25 in], Straight, Brass, FASTON 250

[View on TE.com >](#)



Terminals & Splices > Quick Disconnects



Quick Disconnect Terminal Type: **Receptacle**

Wire Size: **2.08 – 5.26 mm²**

Mating Tab Width: **6.35 mm [.25 in]**

Mating Tab Thickness: **.81 mm [.032 in]**

Features

Industry Standards

Compatible With Agency/Standards Products

UL, CSA

Termination Features

Product Terminates To

Wire & Cable

Configuration Features

Compatible With Wire & Cable Type

Discrete Wire

Connection Capacity

Single

Mechanical Attachment

Wire Insulation Support

With

Mating Retention Type

Dimple

Other

Line

Premier

EU RoHS Compliance

Compliant

EU ELV Compliance

Compliant

Packaging Features



Packaging Quantity	8000
--------------------	------

Packaging Method	Strip/Reel
------------------	------------

Dimensions

Product Length	19.56 mm[.77 in]
----------------	------------------

Compatible Insulation Diameter Range	3.81 – 5.08 mm[.15 – .2 in]
--------------------------------------	-----------------------------

Terminal Material Thickness	.43 mm[.017 in]
-----------------------------	-----------------

Wire Size	2.08 – 5.26 mm ²
-----------	-----------------------------

Product Type Features

Insertion Force	Low
-----------------	-----

Contact Features

Quick Disconnect Terminal Type	Receptacle
--------------------------------	------------

Mating Tab Width	6.35 mm[.25 in]
------------------	-----------------

Mating Tab Thickness	.81 mm[.032 in]
----------------------	-----------------

Terminal Orientation	Straight
----------------------	----------

Contact Base Material	Brass
-----------------------	-------

Terminal Plating Material	Tin
---------------------------	-----

Crimp Type	F-Crimp
------------	---------

Barrel Type	Open
-------------	------

Usage Conditions

Insulation Option	Uninsulated
-------------------	-------------

Operating Temperature Range	-40 – 110 °C[-40 – 230 °F]
-----------------------------	----------------------------

Product Compliance

For compliance documentation, visit the product page on [TE.com](https://www.te.com)>

EU RoHS Directive 2011/65/EU	Compliant
------------------------------	-----------

EU ELV Directive 2000/53/EC	Compliant
-----------------------------	-----------

China RoHS 2 Directive MIIT Order No 32, 2016	No Restricted Materials Above Threshold
---	---

EU REACH Regulation (EC) No. 1907/2006	Current ECHA Candidate List: JUNE 2024 (241) Candidate List Declared Against: JUNE 2024 (241) Does not contain REACH SVHC
--	---

Halogen Content	Low Halogen - Br, Cl, F, I < 900 ppm per homogenous material. Also BFR/CFR/PVC Free
-----------------	---

Solder Process Capability

Not applicable for solder process capability

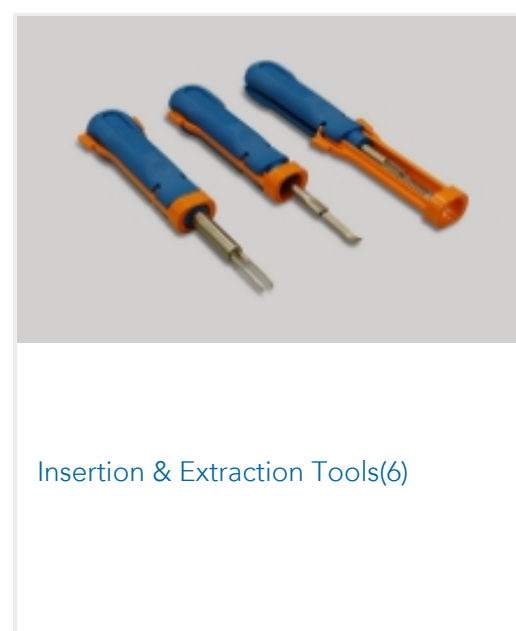
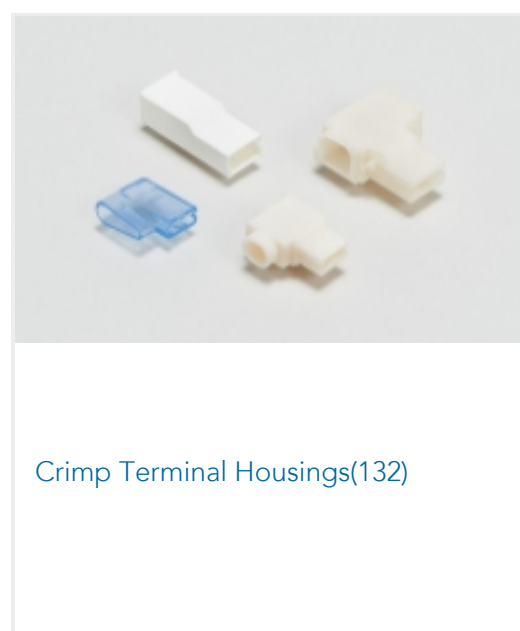
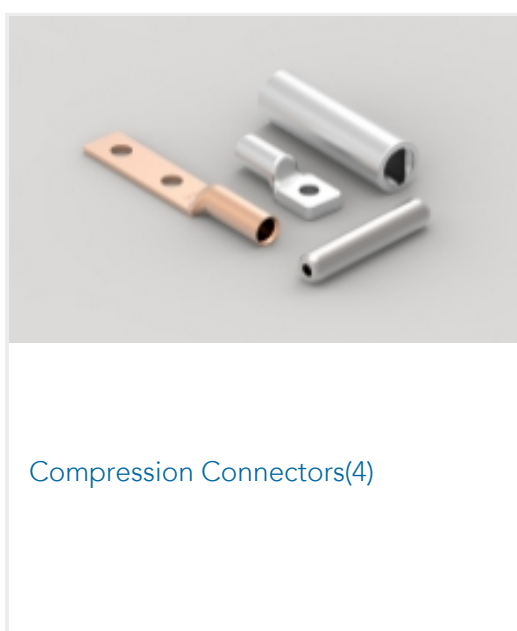
Product Compliance Disclaimer

This information is provided based on reasonable inquiry of our suppliers and represents our current actual knowledge based on the information they provided. This information is subject to change. The part numbers that TE has identified as EU RoHS compliant have a maximum concentration of 0.1% by weight in homogenous materials for lead, hexavalent chromium, mercury, PBB, PBDE, DBP, BBP, DEHP, DIBP, and 0.01% for cadmium, or qualify for an exemption to these limits as defined in the Annexes of Directive 2011/65/EU (RoHS2). Finished electrical and electronic equipment products will be CE marked as required by Directive 2011/65/EU. Components may not be CE marked. Additionally, the part numbers that TE has identified as EU ELV compliant have a maximum concentration of 0.1% by weight in homogenous materials for lead, hexavalent chromium, and mercury, and 0.01% for cadmium, or qualify for an exemption to these limits as defined in the Annexes of Directive 2000/53/EC (ELV). Regarding the REACH Regulation, the information TE provides on SVHC in articles for this part number is based on the latest European Chemicals Agency (ECHA) 'Guidance on requirements for substances in articles' posted at this URL: <https://echa.europa.eu/guidance-documents/guidance-on-reach>

Compatible Parts



Also in the Series | FASTON 250





PCB Terminals(134)

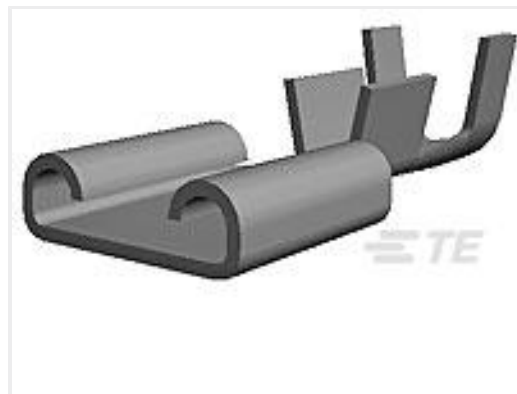
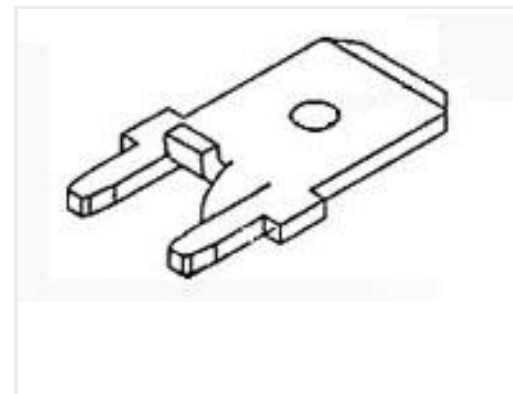
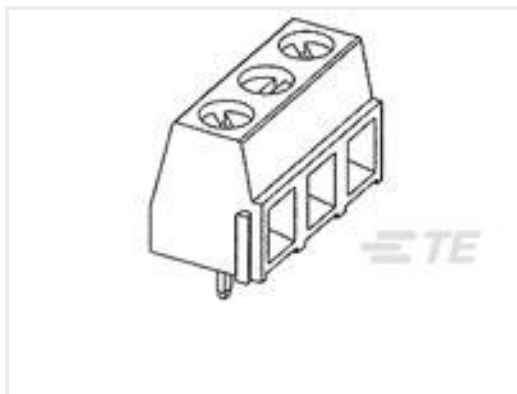


Quick Disconnects(425)



Splices(4)

Customers Also Bought

TE Part #1558661-3
T9GV1L14-12TE Part #41832
250 FASTON REC 18-14 AWG TPBRTE Part #63698-1
FASTON .187 (4.75 MM) ADAPTER
TPBRTE Part #63849-1
250 FASTON TAB TPBRTE Part #282836-2
TERMI-BLOK PCB MOUNT 90 2P.TE Part #HPP845E031R5
I.C 21D RH/T B5000TE Part #2056350005
ES-CAP-NO.3-B8-0-40MMTE Part #1SNG626058R0000
EP-SGL-M25-LGR-ATE Part #1534072-7
AMP MF MK II ASS'Y/AR 7POSTE Part #5-1814832-2
SMA Str PCB Skt GZD

Documents

Product Drawings

[250 FASTON REC 14-10 AWG TPBR](#)

English

CAD Files

Customer View Model

[ENG_CVM_CVM_42437-2_AU.2d_dxf.zip](#)

English

[3D PDF](#)



3D

Customer View Model

[ENG_CVM_CVM_42437-2_AU.3d_igs.zip](#)

English

Customer View Model

[ENG_CVM_CVM_42437-2_AU.3d_stp.zip](#)

English

By downloading the CAD file I accept and agree to the [Terms and Conditions](#) of use.

Datasheets & Catalog Pages

[82004 FASTON Terminals \(Insulated and Uninsulated\) Catalog - FASTON Receptacles Section](#)

English

Product Specifications

[Engineering Report](#)

English

Agency Approvals

[UL Report](#)

English