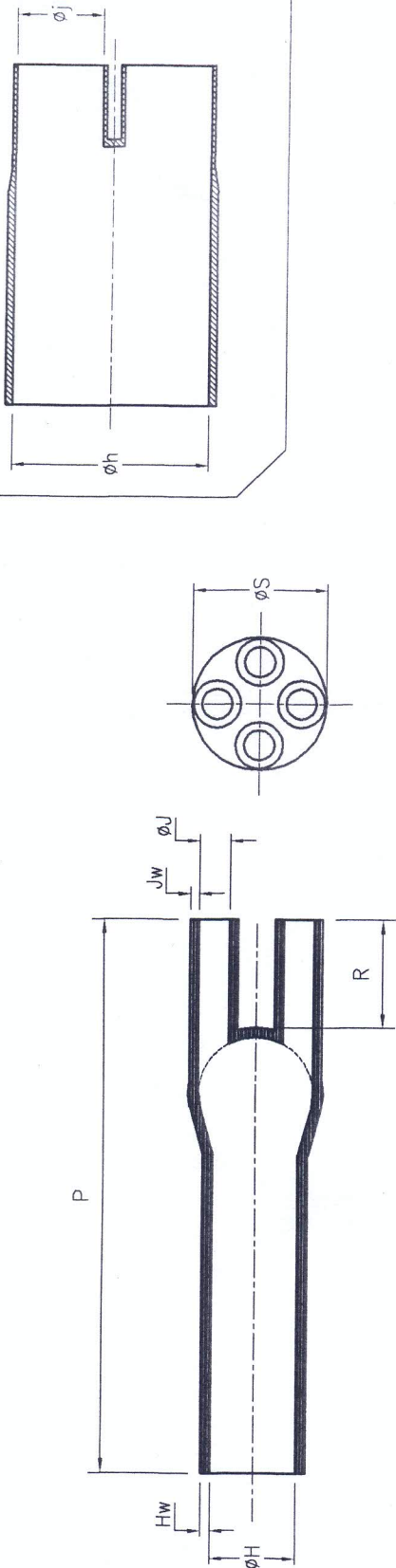


DRAWING No. <b>152185</b>	SHT. 1 OF 1 SHTS.	THE COPYRIGHT OF THIS DRAWING IS RESERVED BY HELLERMANN TYTON. IT IS ISSUED ON CONDITION THAT IT IS NOT COPIED, REPRODUCED OR DISCLOSED TO A THIRD PARTY EITHER WHOLLY OR IN PART WITHOUT THE CONSENT IN WRITING OF HELLERMANN TYTON.	THIRD ANGLE PROJECTION	BS 8888	DO NOT SCALE IF IN DOUBT ASK	Q.A. H/S Q.A. H/S PROD	H/S SETT REL. INSP. EXC.SS.CODE
------------------------------	-------------------------	---	------------------------	---------	------------------------------	------------------------------	---------------------------------------

STANDARD PART (AFTER UNRESTRICTED RECOVERY) EXPANDED (AS SUPPLIED)



PART No.	EXPANDED DIAMETERS (AS SUPPLIED)		RECOVERED DIAMETERS		RECOVERED DIMENSIONS					
	øh	øj	øH	øJ	P	R	S	Hw	Jw	Jw
442-1	MIN 28.0 (1.10)	MIN 9.0 (0.35)	MAX 9.0 (0.35)	MAX 1.8 (0.07)	±10% 78.0 (3.07)	±10% 17.0 (0.67)	NOM 20.0 (0.79)	±20% 2.7 (0.11)	±20% 2.0 (0.08)	

23 FEB 2009

UNCONTROLLED COPY

ISSUE	1	P1256	L.F.	09/02/09	DATE	4 WAY OUTLET	PART No. 442	DRAWING No. 152185
NAME		L.FICKEN		SCALE	NTS	ADHESIVE		SHT. 1
DATE		09/02/09		DIMS IN	mm (in)	ORIGINAL SHEET SIZE 420mm x 297mm		DF
TITLE		4 WAY OUTLET				DRAWING No.		1 SHTS.

**HellermannTyton**  
 Pennycross Close, Plymouth, Devon, England PL2 3NX  
 Tel ++44 (0) 1752 701261 Fax ++44 (0) 1752 790058