

Web site: [www.marinco.com](http://www.marinco.com)

Phone: 800-307-6702

Date: July, 2011

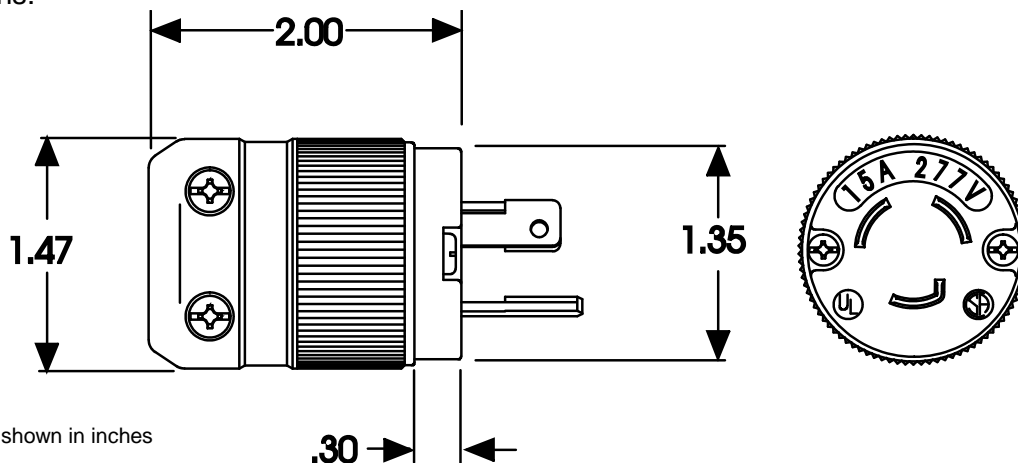
Rev: 02

Plug, locking  
15A, 277V  
NEMA L7-15P

### Catalog Number: 4770

- Item: Plug, locking
- Rating: 15 amperes, 277 volts, NEMA Configuration L7-15P
- Materials: Housing and plug body are nylon with CTI greater than 600 volts.  
Blades are solid brass.
- Terminals: Tempered brass, lug style, Perma-Lock™ design.  
Terminals visible through clear end cap.
- Terminal Identification: Terminal screws are color coded.  
Ground wire entrance hot stamped green and marked "GR."  
Line wire entrance hot stamped black.
- Cord Clamp: Internal. Accommodates 18/3 SJ through 12/3 S cable.
- Overall Design: Two assembly screws, U-drive style.  
All screws are combination slot/cross head.  
Beveled housing. Dust seal at cord entry.  
Cable strip length gauge molded into plug body.
- Listings: UL listed, File E57672  
CSA certified, File LR81290

#### Dimensions:



Dimensions shown in inches