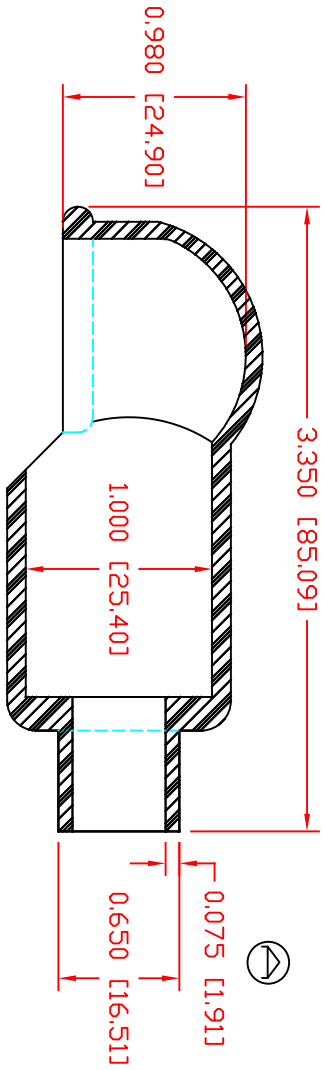
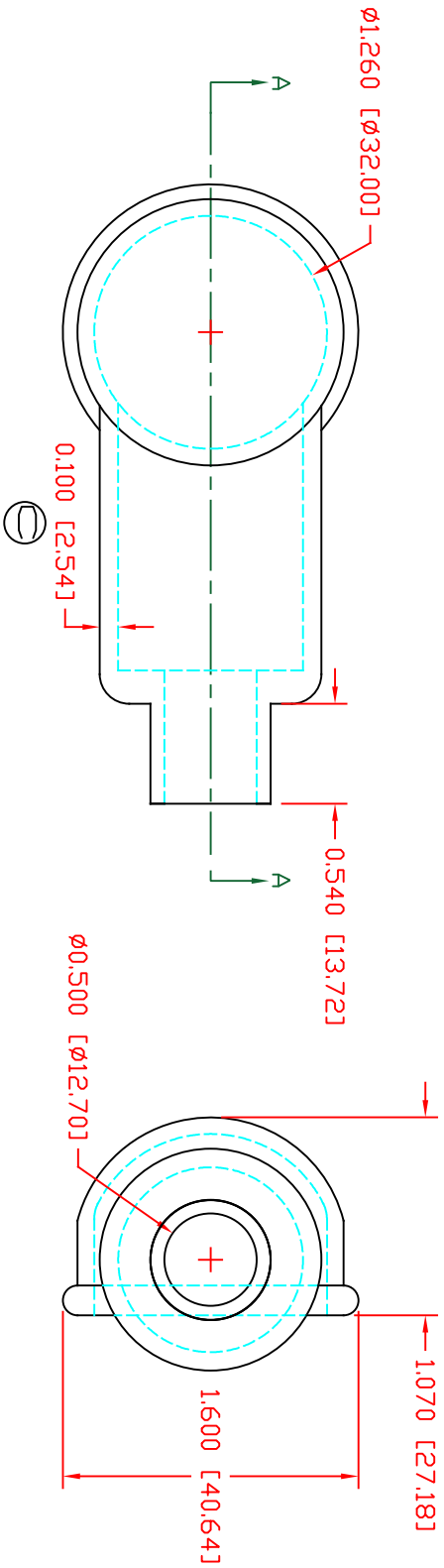


THE INFORMATION CONTAINED IN THIS DRAWING IS THE SOLE PROPERTY OF VTE INCORPORATED. ANY REPRODUCTION IN PART OR WHOLE WITHOUT THE WRITTEN PERMISSION OF VTE INCORPORATED IS PROHIBITED. VTE MAKES NO WARRANTY, EXPRESSED OR IMPLIED, AS TO THE SUITABILITY OF A PRODUCT FOR ANY INTENDED USE. THE CUSTOMER SHALL BEAR THE SOLE RESPONSIBILITY OF DETERMINING THE SUITABILITY OF ANY VTE PRODUCT FOR ITS END USE.




SCALE FACTOR : NONE
 ALL DIMENSIONS GIVEN AS: in [mm]
 TOLERANCES UNLESS OTHERWISE SPECIFIED :
 MOLDED PARTS: ±0.30" [±0.8mm]
 HARDWARE ITEMS: ±0.10" [±0.25mm]

MATERIAL PART NO: 1101650114
 MATERIAL: PVC
 VENDOR PART NO: 9812-65-BLACK
 SHORE DUREMETER: #A" 10 SEC. 65
 SPECIFIC GRAVITY: 1.34
 ULT. ELONGATION %: 400
 MELTING TEMP: 315-335 F [157-168 C]
 BRITTLE TEMP: -54 F [-48 C]
 TENSILE STRENGTH PSI: 1550
 DIELECTRIC STRENGTH, V./mil: 453
 U.L. RATING: V2

LR	REVISIONS	DATE	INT.
A	SEAL WALL THICKNESS REVISED TO 0.075"	11-04-19	EJE
B	UPDATED MATERIAL INFORMATION	8-02-22	RAS
C	REMOVED 'TYP. WALL THICKNESS' NOTE	10-24-22	RAS

VTE Incorporated
 5437 Robinson Road, P.O. Box 790
 Pellston, Michigan 49769
 Telephone: 1-800-527-9256, 231-539-8000
 FAX: 231-539-0914



REF:	DATE:	DRN BY:	JC	WEIGHT:
	4-3-98			058 LBS. / 26.5 G.
TITLE:	STARTER EYELET TERMINAL INSULATOR			
MATERIAL:	PVC	DRG CLASS	REV C	PART NO. 487N6V14
COLOR:	BLACK			