



Identification	Type	USB-3.0 A/A F/F
	Part-No.	490112

Description	USB 3.0 panel connector with M22 thread for front installation USB 3.0 Female / Female Type A/A Typ: UBS-3.0 A/A F/F
--------------------	--

Technical data	
Nominal voltage	AC/DC 5 V
Nominal voltage range	max. 30 V
Rated current	900 mA
Pol number	9
Transfer rate	5 Gbit/s
USB standard	3.0
Contact type	1 : 1
Shielding	yes

General	
Form	USB 3.0 Female/Female Type A/A
Pollution degree	3
Insulation resistance	>100 MΩ
Contact resistance	<30 mΩ

24.05.2015 – Subject to technical modification

Part-No. 490112

USA: LUTZE INC.

13330 South Ridge Drive • Charlotte, NC 28273, USA
Tel. +1 (704) 504-0222 • Fax +1 (704) 504-0223
www.lutze.com • info@lutze.com

United Kingdom: LÜTZE Ltd.

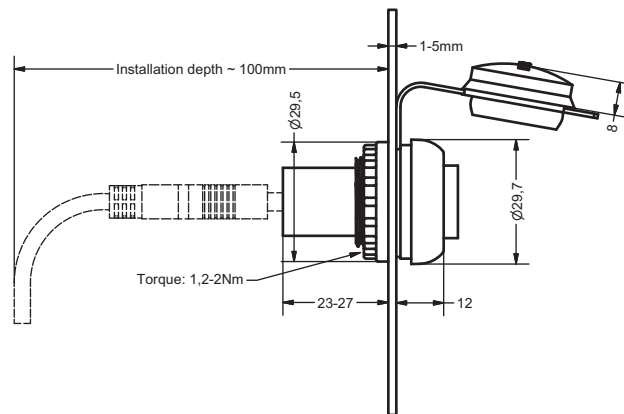
Unit 3, Sandy Hill Park
Sandy Way, Amington • GB-Tamworth, Staffs B77 4DU
Tel. +44 (0)1827 31333-0 • Fax +44 (0)1827 31333-2
www.lutze.com • sales.gb@lutze.co.uk



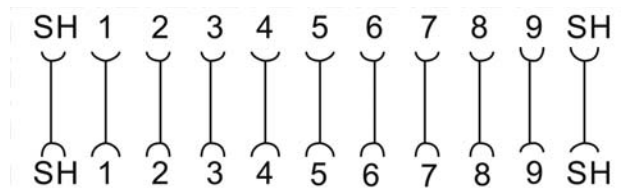
Technical data sheet - Actuator sensor interface

Protection class	IP 65 and UL NEMA Typ 12 65 in closed and IP 20 in inserted condition
Housing material	Female: PA, PVC, Coverage TPU
Contact material	CuSn, gold-plated
Field installation	Front plate cutout D=22.5mm
Storage temperature range	-25 °C – 80 °C
Operation temperature range	-20 °C – 70 °C
Dimension	(D×T) 29.5 × 42.5 mm, installation depth appr. 100 mm
Mechanical service life	>100 insertion cycles
Weight (kg/piece)	0.009
Approvals	cULus
PU	1

Dimensions



PIN assignment



24.05.2015 – Subject to technical modification

Part-No. 490112

USA: LUTZE INC.

13330 South Ridge Drive • Charlotte, NC 28273, USA

Tel. +1 (704) 504-0222 • Fax +1 (704) 504-0223

www.lutze.com • info@lutze.com

United Kingdom: LÜTZE Ltd.

Unit 3, Sandy Hill Park

Sandy Way, Amington • GB-Tamworth, Staffs B77 4DU

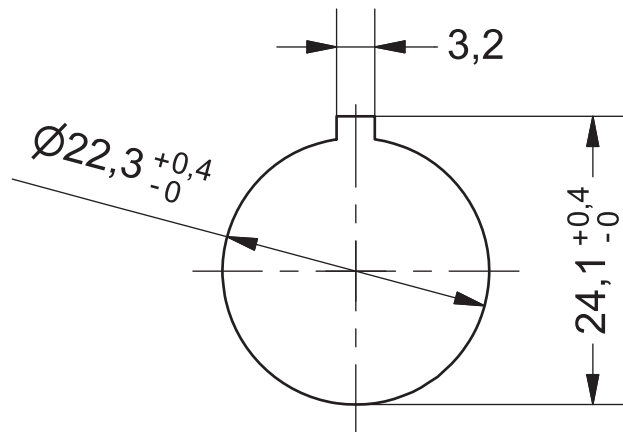
Tel. +44 (0)1827 31333-0 • Fax +44 (0)1827 31333-2

www.lutze.com • sales.gb@lutze.co.uk

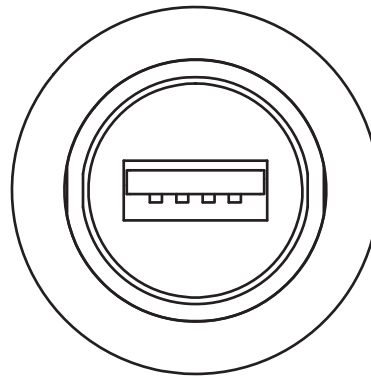


SYSTEMATIC TECHNOLOGY

Mounting diagram



front view



Logo



Comments

Included in the delivery: captive safety cap

24.05.2015 – Subject to technical modification

Part-No. 490112

USA: LUTZE INC.

13330 South Ridge Drive • Charlotte, NC 28273, USA
Tel. +1 (704) 504-0222 • Fax +1 (704) 504-0223
www.lutze.com • info@lutze.com

United Kingdom: LÜTZE Ltd.

Unit 3, Sandy Hill Park
Sandy Way, Amington • GB-Tamworth, Staffs B77 4DU
Tel. +44 (0)1827 31333-0 • Fax +44 (0)1827 31333-2
www.lutze.com • sales.gb@lutze.co.uk