



Low Profile Transition Boots

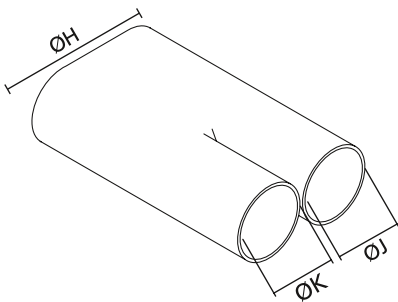
Helashrink 492H Series, 1 to 2 cables

Features and Benefits

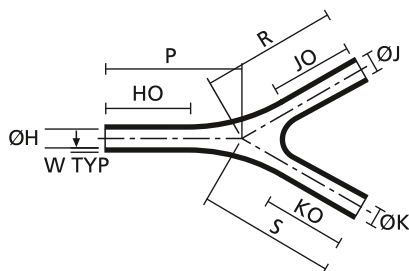
- For cable harness breakouts or transitions
- Strain relief, sealing and mechanical protection



492H412-415 Series supplied / fully recovered.



a: Expanded form (supplied)



b: Fully recovered form (after heating)



For Material / Adhesive information please refer to page 244.

TYPE	ØH min. a	ØH max. b	ØJ/K min. a	ØJ/K max. b	HO/JO/KO ± 15%	W nom	P/R/S nom	Article-No.
492H414-9	6.1	20.0	4.1	20	63.5	1.5	94.7	422-50202
492H412-9	19.8	6.6	13.2	6.6	25.4	1.0	4.6	422-50000
492H413-9	34.2	11.4	22.8	11.4	41.1	1.3	62.9	422-50101
492H415-9	83.3	33.2	54.8	33.2	49.7	1.7	133.8	422-50302

All dimensions in mm. Subject to technical changes.

For these moulded shapes a wide range of material / adhesive combinations are available. Please refer to the Moulded Shapes Catalogue.