

USB-panel connector



Identification	Type	USB-2.0 A/A 0,3M PVC
	Part-No.	499991
Technical data		
Nominal voltage	AC/DC 5 V	
Nominal voltage range	max. 30 V	
Rated current	500 mA	
Number of terminations	4	
Cable length	0.3 m	
Transfer rate	max. 480 mbit/s	
USB standard	2.0	
Contact type	1 : 1	
Shielding	yes	
General		
Form	USB-A	
Rated insulation voltage (EN 50178)	30 V	
Pollution degree	3	
Insulation resistance	$>10^{10}\Omega$	
Contact resistance	$<30\text{ m}\Omega$	
Class of flammability according to UL 94	V0	
Protection class	IP 65 in closed and IP 20 in inserted condition	
Housing material	Connector: PA; plug: PBT, cover: TPU	

03.10.2009 – Subject to technical modification

Part-No. 499991

USA: LUTZE INC.

13330 South Ridge Drive • Charlotte, NC 28273, USA
 Tel. +1 (704) 504-0222 • Fax +1 (704) 504-0223
 www.lutze.com • info@lutze.com

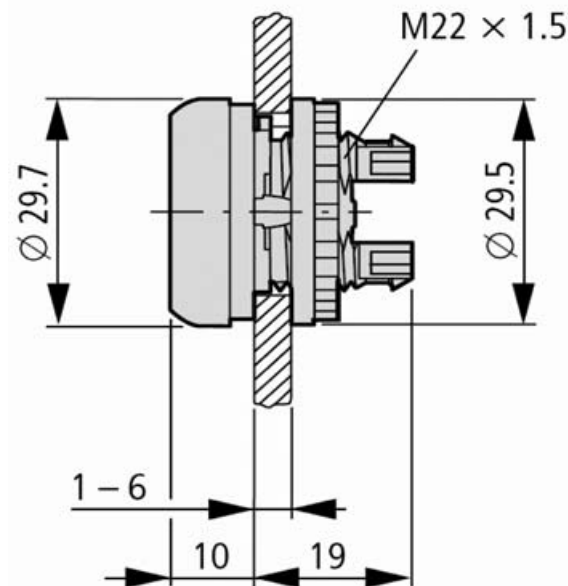
United Kingdom: LÜTZE Ltd.

Unit 3, Sandy Hill Park
 Sandy Way, Amington • GB-Tamworth, Staffs B77 4DU
 Tel. +44 (0)1827 31333-0 • Fax +44 (0)1827 31333-2
 www.lutze.com • sales.gb@lutze.co.uk

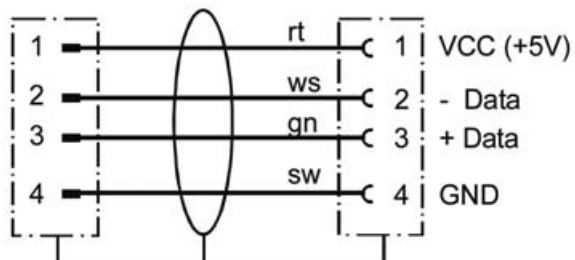
Technical data sheet • Actuator sensor interface

Contact material	CuSn, gold-plated
Field installation	Front plate cutout D=22.5mm
Cable construction	Supply: 2×AWG24; Data: 2×AWG28
Cable jacket	PVC
Cable diameter	4.4 mm
Bending radius	20 x cable diameter
Storage temperature range	-25 °C–80 °C
Operation temperature range	0 °C – 70 °C
Mechanical service life	>100 insertion cycles
Dimension	(D×T) 29.5 × 29 mm, installation depth appr. 70 mm
Weight (kg/piece)	0.035
PU	10

Dimensions



PIN assignment



03.10.2009 – Subject to technical modification

Part-No. 499991

USA: LUTZE INC.

13330 South Ridge Drive • Charlotte, NC 28273, USA

Tel. +1 (704) 504-0222 • Fax +1 (704) 504-0223

www.lutze.com • info@lutze.com

United Kingdom: LÜTZE Ltd.

Unit 3, Sandy Hill Park

Sandy Way, Amington • GB-Tamworth, Staffs B77 4DU

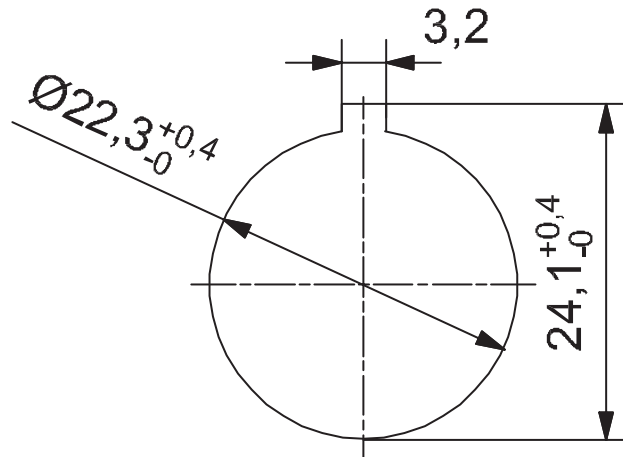
Tel. +44 (0)1827 31333-0 • Fax +44 (0)1827 31333-2

www.lutze.com • sales.gb@lutze.co.uk



Systematic Technology

Mounting diagram



Comments

Included in the delivery: captive safety cap

03.10.2009 – Subject to technical modification

Part-No. 499991

USA: LUTZE INC.

13330 South Ridge Drive • Charlotte, NC 28273, USA

Tel. +1 (704) 504-0222 • Fax +1 (704) 504-0223

www.lutze.com • info@lutze.com

United Kingdom: LÜTZE Ltd.

Unit 3, Sandy Hill Park

Sandy Way, Amington • GB-Tamworth, Staffs B77 4DU

Tel. +44 (0)1827 31333-0 • Fax +44 (0)1827 31333-2

www.lutze.com • sales.gb@lutze.co.uk



Systematic Technology