

“Stay Connected” with



Strain Relief Bushings

a PennEngineering® Company



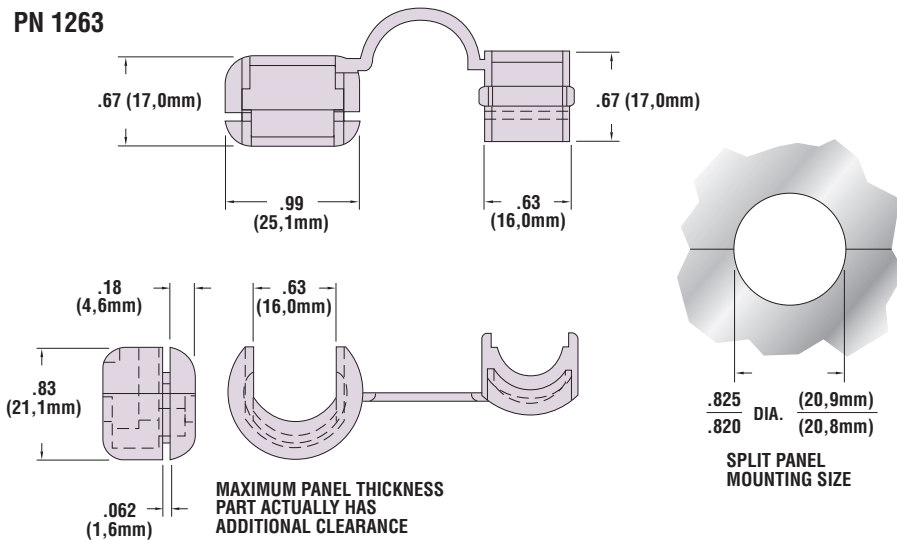
## Heyco® Split Panel Strain Relief Bushings

For Split Panel Mounting Holes

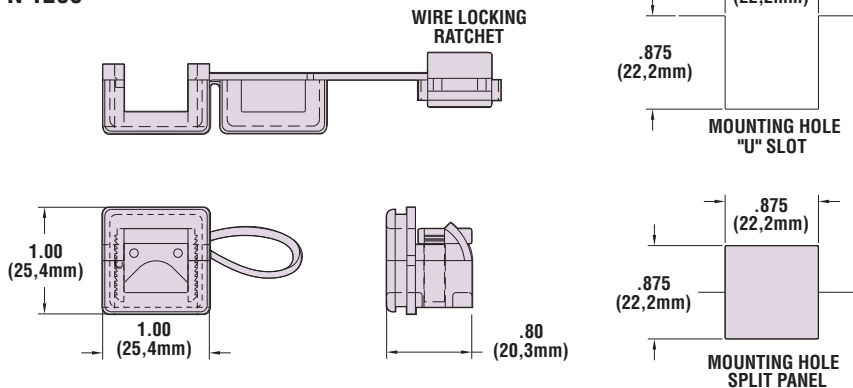
WILL FIT THESE CABLES				PANEL DIMENSIONS				PART NO.	DESC.	BODY LENGTH	
UL Type	AWG/ Conductors	Approximate Size		Mounting Hole Size		Maximum Panel Thickness				Black	in.
SO	14/4	.560	14,2	.825	21,0	.062	1,6	1263	SR 8R-2	.670	17,0
SO	12/3	.590	15,0								
Round, Flat or Multiple	Multiple	up to .600	up to 15,2	.875x.875	22,2x22,2	.100	2,5	1266	SR 8R-200	.800	20,3

Standard color black. Consult Heyco for white and other colors

### PN 1263



### PN 1266



- Designed to be installed in a split panel mounting hole or dropped into a slot.
- Can be used for one wire or bundles of wire (round or flat wire).
- Securely anchors, insulates, and protects wire at panel entry points against forces of pull, push, or twist.
- Part 1266 is assembly friendly and self-locks onto the wire. It may be preassembled offline for final assembly at a later time or remote location, for lower installed cost and faster assembly. It has a unique wire locking ratchet that allows for generous wire range from .250" (6,4 mm) to .600" (15,2 mm).
- Part 1266 UL recognized for multiple cables/conductors.



PN 1263

Material  
Certifications

Nylon 6/6

Recognized under the Component Program of Underwriters' Laboratories File E15331

Certified by Canadian Standards Association File 8919

Flammability Rating  
Temperature Range

94V-2

-.04°F (-18°C) to 221°F (105°C)

Quick  
Specs