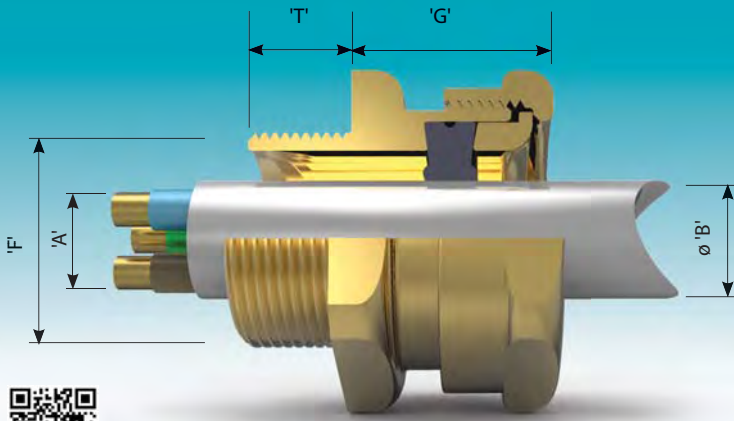


Flameproof, Increased Safety, Dust Protection  
Class - Zones - Divisions  
Certified ATEX / IECEx / c CSA us



**Application**

- The 501/421 cable gland provides a seal on the outer cable sheath
- For use on non-armoured elastomer and plastic insulated cables
- Suitable for installation in Zone 1 (21), Zone 2 (22) and Division 2 hazardous areas.

**CABLE GLAND SELECTION TABLE**

Size Ref.	Entry Thread Size 'F'		Cable Acceptance Details				Fully Compressed Length 'G'	Hexagon Dimensions	
	Metric	NPT * Standard or Option	Outer Sheath 'B'					Across Flats	Across Corners
			Standard Seal		Alternative Seal (S)				
			Min.	Max.	Min.	Max.			
2K	M16	-	3.2	8.0	-	-	23.5	19.0	21.2
Os	M20 <sup>2</sup>	½"	3.2	8.0	-	-	23.8	24.0	26.5
O	M20 <sup>2</sup>	½"	6.5	11.9	-	-	23.8	24.0	26.5
A	M20	¾" or ½"	10.0	14.3	8.5	13.5	24.8	30.0	32.5
B	M25	1" or ¾"	13.0	20.2	9.5	15.4	25.8	36.0	39.5
C	M32	1¼" or 1"	19.5	26.5	15.5	21.2	28.2	46.0	50.5
C2	M40	1½" or 1¼"	25.0	32.5	22.0	28.0	29.5	55.0	60.6
D	M50	2" or 1½"	31.5	44.4 / 42.3 <sup>1</sup>	27.5	34.8	40.4	65.0	70.8
E	M63	2½" or 2"	42.5	56.3 / 54.3 <sup>1</sup>	39.0	46.5	38.2	80.0	88.0
F	M75	3" or 2½"	54.5	68.2 / 65.3 <sup>1</sup>	48.5	58.3	40.5	95.0	104.0
G	M80	3½"	67.0	73.0	-	-	41.0	106.4	115.0
H	M90	3½"	67.0	77.6	-	-	41.0	115.0	130.0
J	M100	4"	75.0	91.6	-	-	41.0	127.0	142.0

**'T'** — 2K to F size metric entry threads are 1.5mm pitch as standard, 15mm length of thread. For G size glands and above, a 2mm pitch is supplied as standard, 20mm length of thread (1.5mm pitch with 15mm length of thread can be supplied) please specify when ordering.  
All dimensions in millimetres (except \* where dimensions are in inches).

<sup>1</sup> Smaller value is applicable when selecting reduced NPT entry option.

<sup>2</sup> Sizes Os and O are available with an M16 thread size. For O size with M16 thread, the maximum cable outer sheath diameter is 10.9mm

**Technical Data**

**ATEX/IECEx**

- Flameproof Exd IIC Gb, Increased Safety Exe IIC Gb and Dust Extb IIIC Db Ex II 2 GD.
- Certificate No's: Baseefa06ATEX0056X and IECEx BAS 06.0013X.
- Suitable for use in Zone 1, Zone 2, Zone 21, Zone 22.
- Construction and Test Standards: IEC/EN 60079-0, IEC/EN 60079-1, IEC/EN 60079-7 and IEC/EN 60079-31.
- Ingress Protection: IP66, IP67 and IP 68 (30 metres for 7 days) to IEC/EN 60529 and NEMA 4X.
- Deluge Protection to DTS01.
- Operating Temperature Range: -60°C to +100°C.
- Assembly Instruction Sheet: AI 307.

**c CSA us**

- Flameproof AExd IIC Gb, Increased Safety AExe IIC Gb and Dust AExTd Zone 21.
- Explosion-proof Class 1 Division 2 Groups ABCD, Class II Division 2 Groups EFG, Class III.
- Certificate No's: CSA1015065 for Marine Shipboard Cable.
- Construction and Test Standards: UL 60079-0, UL 60079-1, UL 60079-7, ISA 60079-31, CSA 22.2 No: 60079-0, CSA 22.2 No: 60079-1, CSA 22.2 No: 60079-7, CSA 22.2 No: 60079-31, UL 2225

**Features**

- When used in Increased Safety applications, this cable gland may be used with braided cable where the braid and the outer sheath pass into the enclosure. The braid must then be suitably terminated inside the enclosure.
- Manufactured in Brass (standard), Nickel Plated Brass, 316 Stainless Steel or Aluminium.
- Brass NPT entries are nickel plated as standard.
- Cable glands are marked with ATEX/IECEx and c CSA us certification information as standard.

**Ordering Information**

Format for ordering is as follows: Alternative Seal (S), add suffix S to ordering information.

Cable Gland Type	Size	Thread	Material	(Optional)
501/421	C	M32	Brass	S
501/421	C	1 ¼" NPT	Brass	S

Alternative certification options available:

