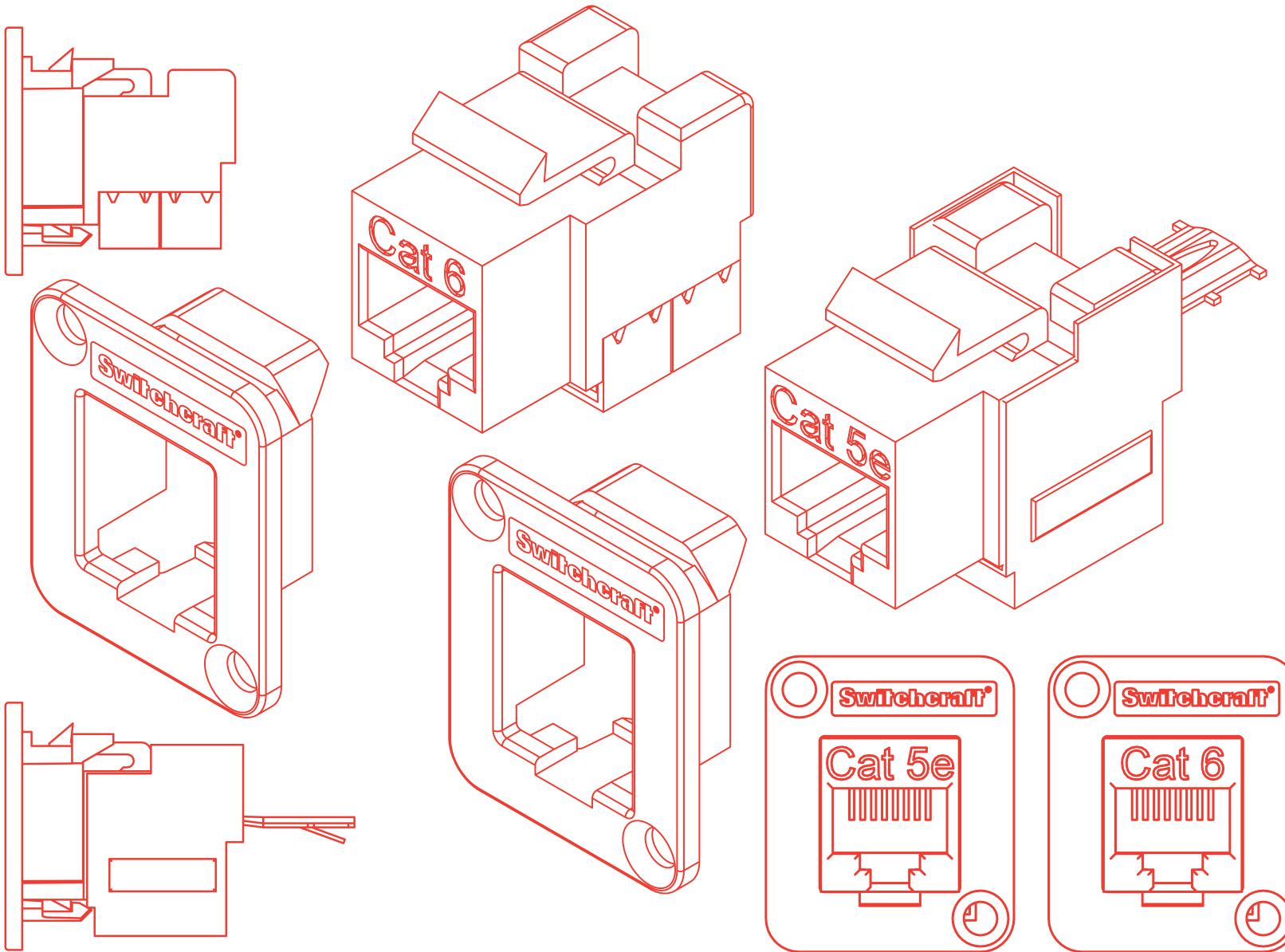


SWITCHCRAFT®

A H E I C O C O M P A N Y

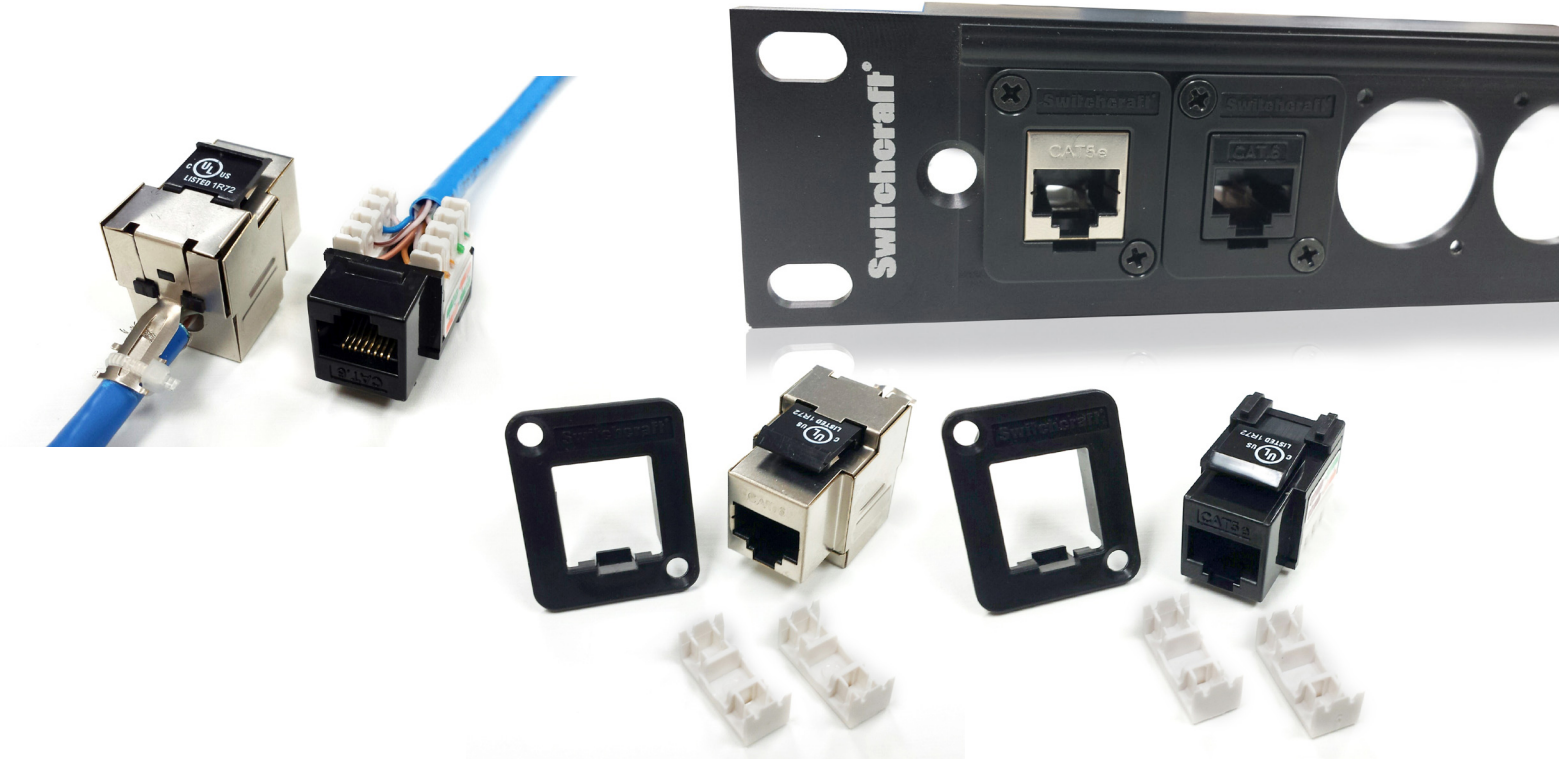


EH SERIES: RJ45 IDC CONNECTORS

NPB | 616

EH SERIES: RJ45 IDC CONNECTORS

NPB | 616



FEATURES & BENEFITS

The RJ45 Series connectors meet TIA/EIA-568-B.2 standards

CAT 5E or CAT 6 available in shielded or unshielded versions as standards

IDC panel terminals for easy field installation

Connector housing fits into a standard XLR panel cutout

Easily terminated using Krone/110 punch down tool

APPLICATIONS

Military or Industrial GPS location devices

Instrumentation

Medical data carts

Data acquisition units

General industrial electronic applications

Custom I/O panels and wall plates for A/V

Pro Audio/Broadcast equipment - post production and mobile production installations

LED light applications

EH SERIES: RJ45 IDC CONNECTORS

NPB | 616

SHIELDED RJ45

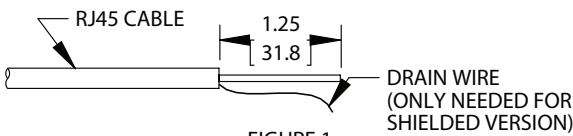
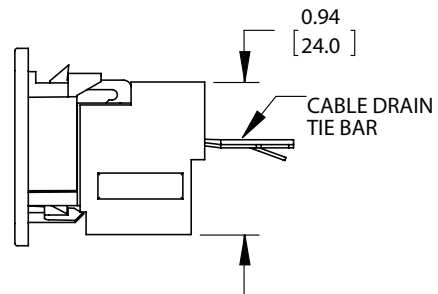
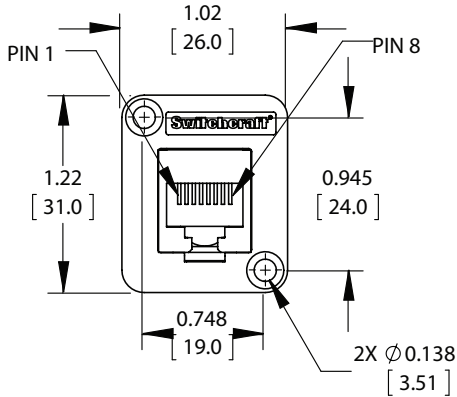
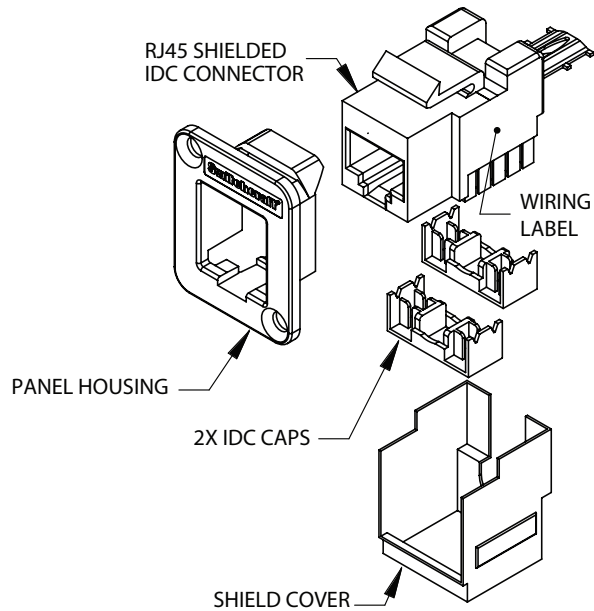
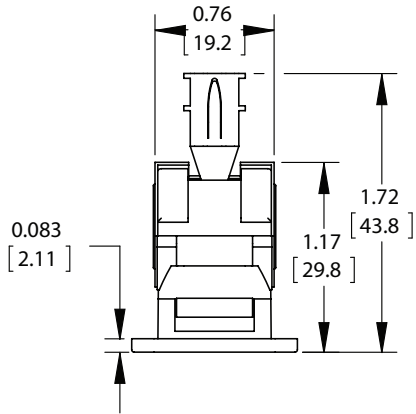


FIGURE 1
8 CONDUCTORS PLUS DRAIN WIRE
RECOMMENDED CABLE JACKET STRIPPING DETAIL
TYPICAL FOR ALL BREAKOUTS

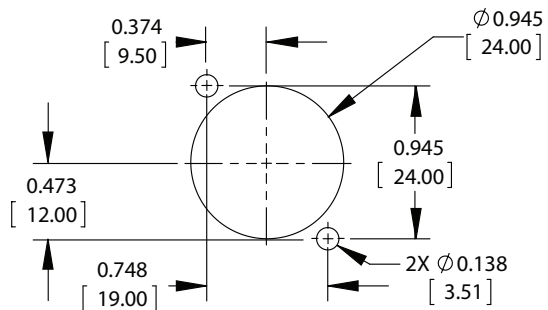


FIGURE 2
RECOMMENDED PANEL CUT-OUT

**PANEL HOUSING IS ASSEMBLED TO THE PANEL BEFORE THE RJ45 IDC IS SNAPPED INTO PLACE.
FOR FULL ASSEMBLY INSTRUCTIONS, SEE THE PRODUCT CUSTOMER DRAWING.**

UNITS ARE LISTED IN INCHES [mm]. ALL DIMENSIONS ARE REFERENCE ONLY.

EH SERIES: RJ45 IDC CONNECTORS

NPB | 616

UNSHIELDED RJ45

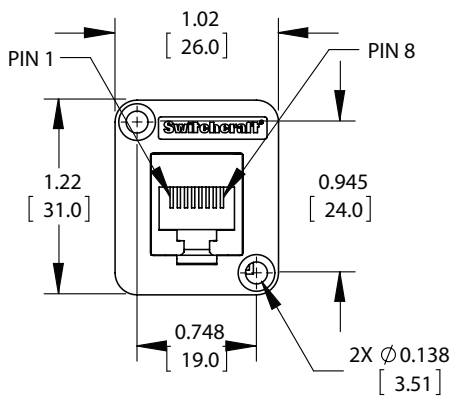
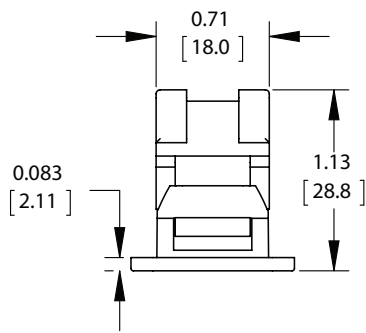


FIGURE 1
8 CONDUCTORS
RECOMMENDED CABLE JACKET STRIPPING DETAIL
TYPICAL FOR ALL BREAKOUTS

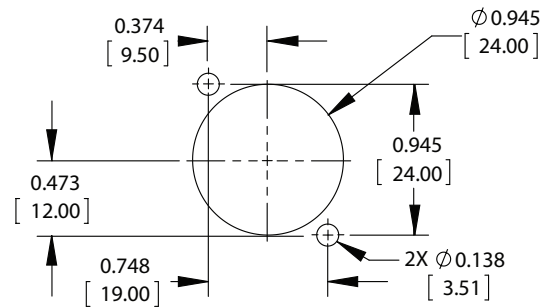
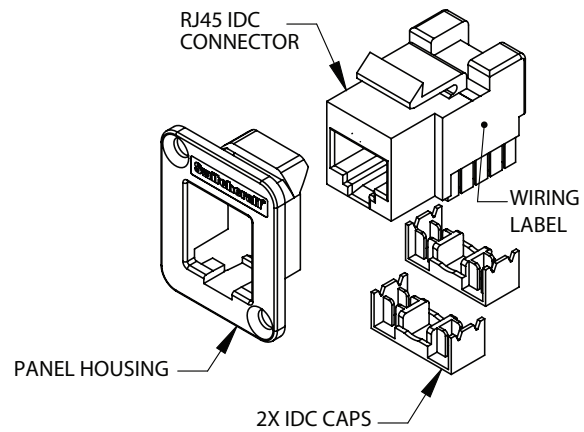


FIGURE 2
RECOMMENDED PANEL CUT-OUT



PANEL HOUSING IS ASSEMBLED TO THE PANEL BEFORE THE RJ45 IDC IS SNAPPED INTO PLACE.
FOR FULL ASSEMBLY INSTRUCTIONS, SEE THE PRODUCT CUSTOMER DRAWING.
UNITS ARE LISTED IN INCHES [mm]. ALL DIMENSIONS ARE REFERENCE ONLY.

EH SERIES: RJ45 IDC CONNECTORS

NPB | 616

SPECIFICATIONS

ELECTRICAL SPECIFICATIONS

Contact Resistance:	20 milliohms Max
Insulation Resistance:	500M ohms Min
W/S Voltage:	1000V DC

MATERIALS

Switchcraft Housing: Thermoplastic, Black

RJ45 IDC Connector

Insulator Body:	Thermoplastic, Black
Contacts:	Copper Alloy, Gold Plated (Contact Area)
IDC Terminals:	Copper Alloy, Tin Plated
IDC Caps:	Thermoplastic, White

Shielded Version

Shield:	Copper Alloy, Nickel Plated
Drain Wire Tie Bar:	Copper Alloy, Nickel Plated

PART NUMBERS

EHRJ45P5ESIDC	CAT5e Shielded
EHRJ45P5EIDC	CAT5e Unshielded
EHRJ45P6SIDC	CAT6 Shielded
EHRJ45P6IDC	CAT6 Unshielded

Mouser Electronics

Authorized Distributor

Click to View Pricing, Inventory, Delivery & Lifecycle Information:

[Switchcraft:](#)

[EHRJ45P5EIDC](#) [EHRJ45P5ESIDC](#) [EHRJ45P6IDC](#) [EHRJ45P6SIDC](#)