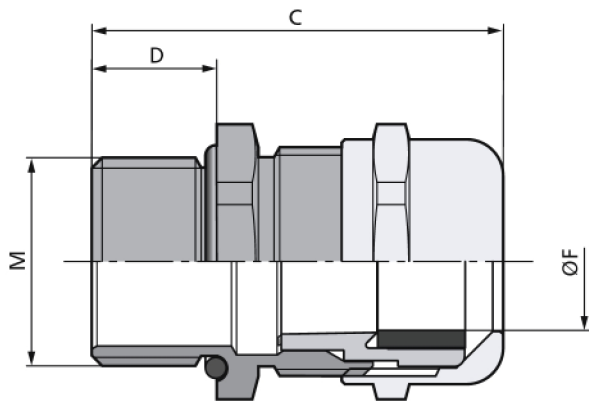
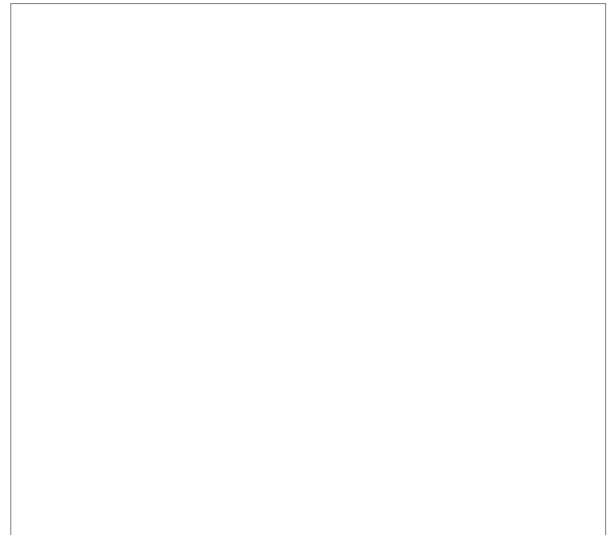
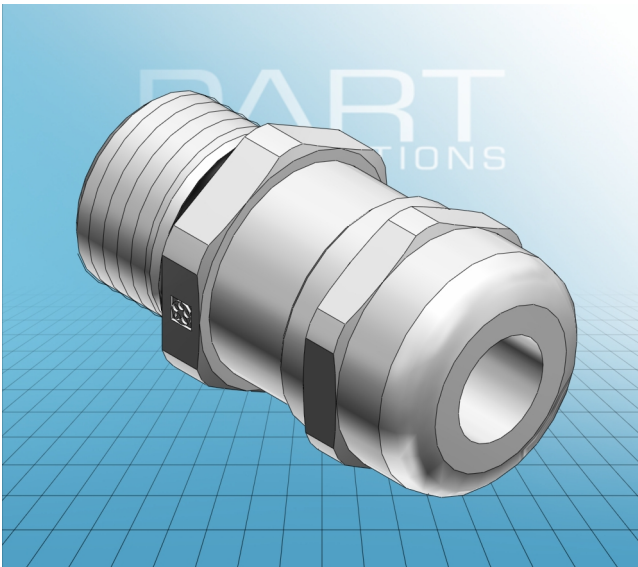


Product Description





Technical Data

ATN	53112015
M	M 16x1,5
FMIN	4.5
FMAX	9
F	9
SW	20
A	22
C	38
D	12
MATERIAL	Messing vernickelt