

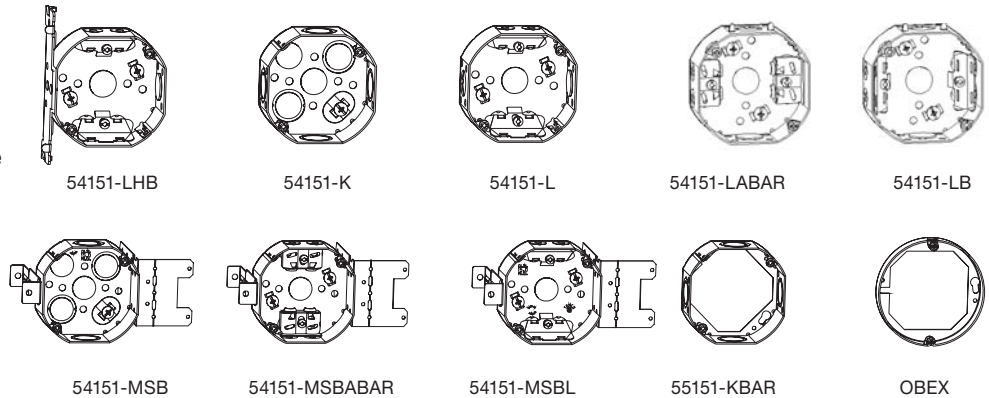


## OCTAGON BOXES

### 1-1/2" AND 2-1/8" DEEP

#### APPLICATION

- Octagon boxes are used in the installation of ceiling or wall lighting fixtures.
- Extension rings provide a means for adding additional cubic capacity or as an outlet box for surface conduit.



#### PRODUCT FEATURES

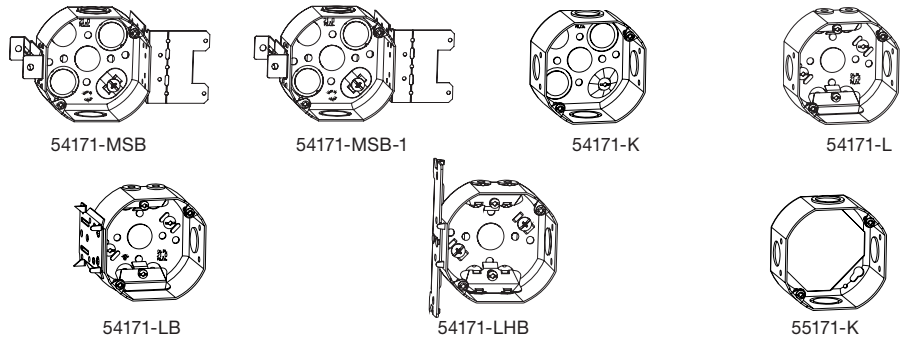
- Combination screw heads provide for faster installation.
- Self-tapping screws which virtually eliminate stripping.
- Rugged metallic construction.

#### COMPLIANCE

- All Hubbell boxes are CSA certified, unless otherwise stated, and meet the requirements of the Canadian Electrical Code. File numbers are available upon request.

**4" OCTAGON BOX - 1-1/2" DEEP**  
15.0 CUBIC INCHES, 245 ML

Catalogue Number	Bracket	Raised Ground Screw	Knockouts	Cable Clamps
54151-LHB	SB	no	1/2"(2)	L
54151-K	-	yes	K(6), 1/2"(2)	-
54151-L	-	no	1/2"(3)	L
54151-LABAR	-	no	1/2"(3)	A
54151-LB	B	no	1/2"(2)	L
54151-MSB	MSB	yes	K(4), 1/2"(2)	-
54151-MSBABAR	MSB	no	1/2"(1)	A
54151-MSBL	MSB	no	1/2"(1)	L
55151-KBAR	Extension Ring (15.0)	-	K(4)	-
OBEX	Extension Ring (5.0)	-	-	-



**4" OCTAGON BOX - 2-1/8" DEEP**  
21.0 CUBIC INCHES, 344 ML

Catalogue Number	Bracket	Raised Ground Screw	Knockouts	Cable Clamps
54171-MSB	MSB	yes	K(4), 1/2"(4)	-
54171-MSB-1	MSB	yes	K(4), 1/2"(4)	-
54171-K	-	yes	K(4), 1/2"(4)	-
54171-L	-	no	1/2"(3)	L
54171-LB	B	no	1/2"(2)	L
54171-LHB	SB	no	1/2" (2)	L
55171-K	Extension Ring (21.0)	-	K(2), 1/2"(2)	-