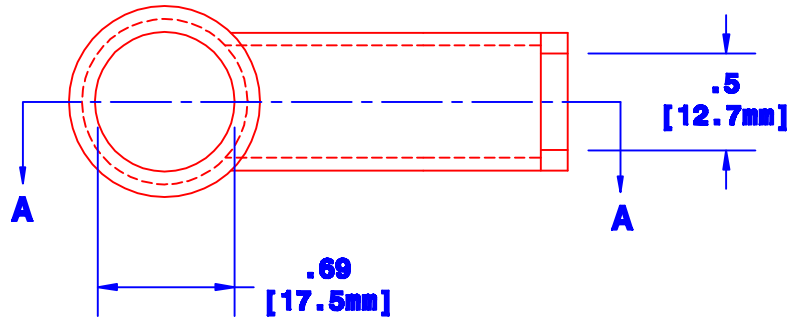
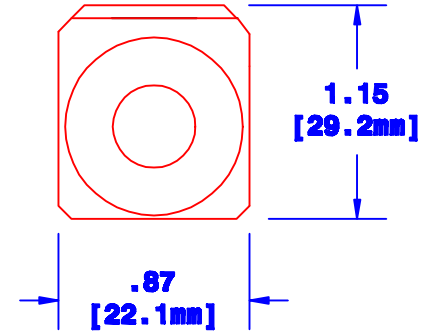
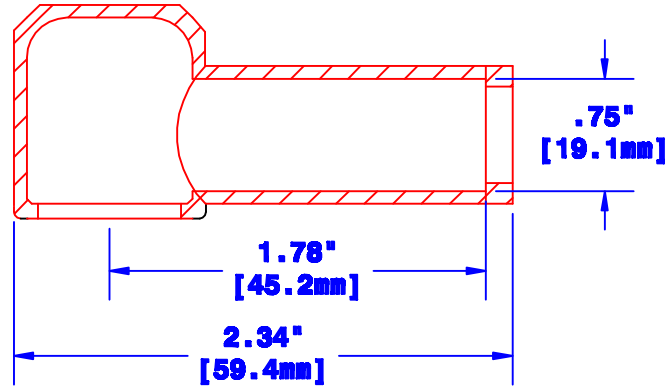


Quick Cable Reserves The Right to Alter Product Types, Their Technical Data, Dimensions, Style And Accessories without Prior Notification.

Section A-A



Bottom View

Typ. Wall = .06" [1.5mm]

Property of QUICKCABLE 3700 Quick Drive Franksville, WI 53126 U.S.A. www.quickcable.com	TITLE
	Terminal Protector 1 & 2 Ga.
	PART #
	5735R

Confidential and Proprietary Information

					Drawn By	Date	Checked By	Scale
					Jim H	02-25-04	Mike E	None
					Tolerances, unless otherwise noted			
					Dimensions Are Reference Only			
A	06-09-11	2361	JMH	Update dimensions; add metric dimensions				
Rev	Date	ECN#	By	Description				

Material & Treatment
Flexible PVC,
Red

Drawing #	REV
5735R-Info	A
Sheet 1 of 1	