



RADOX 125 S2

Multicore cables

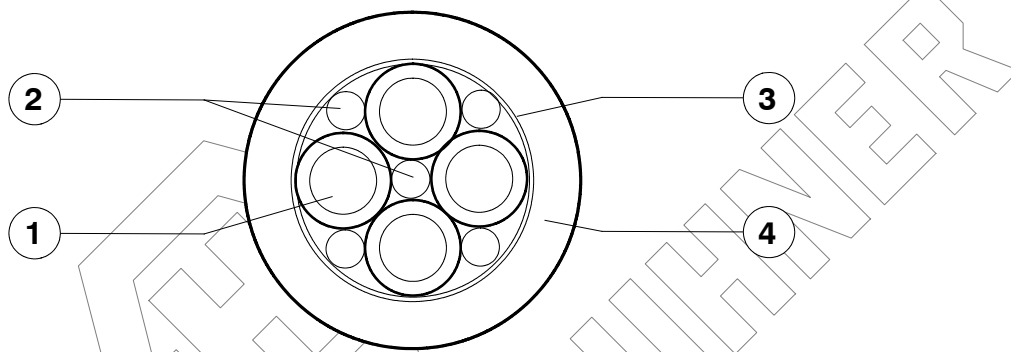
General Properties :

Excellent high temperature and low temperature, ozone and weathering resistance, halogen free, flame retardant, in case of fire no corrosive gases and low smoke generation, soldering iron resistant, flexible, easy to strip.

Application :

For permanent installation inside and outside to connect fixed and moving parts. Designed for connecting photovoltaic system components inside and outside of buildings and equipment with high mechanical requirements and extreme weather conditions.

General composition of cable :



- | | |
|---|--|
| <p>1. Cores
(for details see table 1)</p> <p>2. Filler (if necessary)</p> <p>3. Wrapping</p> <p>4. Sheath</p> | <p>Conductor : stranded tin plated copper, acc. to IEC 60228 cl. 5
 Insulation : Radox 125 :extruded irradiation crosslinked polyolefin
 Colours : 2 to 5 cores acc. HD 308 S2
 6 and more cores BK numbered (+1 x GNYE)
 (colours acc. customer requirements on request)</p> <p>RADOX 125</p> <p>Woven glass tape</p> <p>RADOX 125 M : extruded irradiation crosslinked polyolefin,
 Colour : black</p> |
|---|--|

Cable marking: HUBER + SUHNER RADOX 125 zzzzzzzz- zzzzzzzz [prod.- place]
 Part number _____ Production lot number _____

Technical Data :

Temperature range	fixed	- 40 ... +125 ... °C
Minimum temperature	flexing	- 25 ... °C
Maximum conductor temperature at short circuit (max. 5s)		+ 280 ... °C
Min. bending radius	fixed	3 x cable dia.
	flexing	5 x cable dia.

Copyright 2016 HUBER+SUHNER AG. This document may not be amended and its content is confidential. It may not be passed on to third party which are not bound by confidentiality.

The product fulfils the test and specification requirements described in this document for the stated areas of application and operating conditions. HUBER+SUHNER AG does not expressly or implicitly guarantee performance under additional or changed conditions. Deviations are to be agreed upon in writing.

HUBER+SUHNER AG
Low Frequency Division
 CH- 8330 Pfäffikon
 +41 (0)44 952 22 11
 +41 (0)44 952 26 40
www.hubersuhner.com



RADOX 125 S2

Multicore cables

The cables pass the following tests:

Fire protection in buildings	Fulfilled	EN 50525
Vertical flame spread	50 < L ≤ 540 mm	EN 60332-1-2
Vertical flame spread, bunched	L ≤ 2.5 m	EN 60332-3-24
Smoke density	T ≥ 60 %	EN 61034-2
Corrosivity of combustion gases	pH ≥ 4.3, C ≤ 10 μS/mm	EN 50267-2-2
Amount of halogen acid gas	HCl + HBr ≤ 0.5 %	EN 50267-2-1
Content of fluorine	HF ≤ 0.1%	EN 60684-2, 45.2

Size n x mm ²	Conductor		Core Ø mm	R ₂₀ max Ω / km	Cable Ø mm	Weight nom kg/100m	Nominal- voltage V	Test- voltage V	H+S Part- No.
	constr. n x mmØ	max.Ø mm							
2 x 0.25	19 x 0.13	0.61	1.45 ± 0.05	88.5	4.7 ± 0.3	2.85	450/750	2500	12 583 614
4 x 0.25	19 x 0.13	0.61	1.45 ± 0.05	88.5	5.75 ± 0.3	4.4	450/750	2500	84 094 484
5 x 0.25	19 x 0.13	0.61	1.45 ± 0.05	88.5	6.15 ± 0.3	5.2	450/750	2500	85 084 529
6 x 0.25	19 x 0.13	0.61	1.45 ± 0.05	88.5	6.5 ± 0.3	5.7	450/750	2500	-
10 x 0.25	19 x 0.13	0.61	1.45 ± 0.05	88.5	8.3 ± 0.3	8.6	450/750	2500	-
15 x 0.25	19 x 0.13	0.61	1.45 ± 0.05	88.5	9.5 ± 0.3	11.8	450/750	2500	-
25 x 0.25	19 x 0.13	0.61	1.45 ± 0.05	88.5	12.3 ± 0.4	20.6	450/750	2500	85 083 841
2 x 0.5	19 x 0.18	0.9	1.7 ± 0.1	40.1	6.2 ± 0.3	5.1	450/750	2500	12 430 129
8 G 0.5	19 x 0.18	0.9	1.7 ± 0.1	40.1	8.8 ± 0.3	11.3	450/750	2500	-
16 x 0.5	19 x 0.18	0.9	1.7 ± 0.1	40.1	11.0 ± 0.4	18.1	450/750	2500	12 583 168
25 G 0.5	19 x 0.18	0.9	1.7 ± 0.1	40.1	14.0 ± 0.4	28.7	450/750	2500	12 584 048
40 x 0.5	19 x 0.18	0.9	1.7 ± 0.1	40.1	15.4 ± 0.5	38.8	450/750	2500	84 094 201
2 x 0.75	24 x 0.20	1.15	2.2 ± 0.1	26.7	6.6 ± 0.3	6.3	600/1000	3500	12 430 125
3 G 0.75	24 x 0.20	1.15	2.2 ± 0.1	26.7	6.95 ± 0.3	7.1	600/1000	3500	12 508 101
3 X 0.75	24 x 0.20	1.15	2.2 ± 0.1	26.7	6.95 ± 0.3	7.1	600/1000	3500	12 584 695
4 G 0.75	24 x 0.20	1.15	2.2 ± 0.1	26.7	7.7 ± 0.3	8.8	600/1000	3500	12 582 626
5 G 0.75	24 x 0.20	1.15	2.2 ± 0.1	26.7	8.7 ± 0.3	10.9	600/1000	3500	12 583 767
6 X 0.75	24 x 0.20	1.15	2.2 ± 0.1	26.7	9.5 ± 0.3	13.0	600/1000	3500	84 110 526
7 G 0.75	24 x 0.20	1.15	2.2 ± 0.1	26.7	10.2 ± 0.3	15.1	600/1000	3500	12 532 843
9 G 0.75	24 x 0.20	1.15	2.2 ± 0.1	26.7	11.8 ± 0.4	20.1	600/1000	3500	12 559 309
10 G 0.75	24 x 0.20	1.15	2.2 ± 0.1	26.7	11.8 ± 0.4	19.3	600/1000	3500	12 583 768
12 G 0.75	24 x 0.20	1.15	2.2 ± 0.1	26.7	12.0 ± 0.4	21.4	600/1000	3500	12 420 602
16 x 0.75	24 x 0.20	1.15	2.2 ± 0.1	26.7	13.7 ± 0.4	27.6	600/1000	3500	12 583 771
20 x 0.75	24 x 0.20	1.15	2.2 ± 0.1	26.7	15.4 ± 0.4	-	600/1000	3500	84 115 437
40 G 0.75	24 x 0.20	1.15	2.2 ± 0.1	26.7	20.4 ± 0.5	63.9	600/1000	3500	84 123 906



RADOX 125 S2

Multicore cables

Size n x mm ²	Conductor		Core Ø mm	R ₂₀ max Ω / km	Cable Ø mm	Weight nom kg/100m	Nominal- voltage V	Test- voltage V	H+S Part- No.
	constr. n x mmØ	max.Ø mm							
2 x 1	32 x 0.20	1.3	2.6 ± 0.1	20.0	7.5 ± 0.3	7.4	600/1000	3500	12 430 115
3 G 1	32 x 0.20	1.3	2.6 ± 0.1	20.0	7.9 ± 0.3	9.1	600/1000	3500	12 420 417
5 G 1	32 x 0.20	1.3	2.6 ± 0.1	20.0	9.8 ± 0.3	14.4	600/1000	3500	84 123 980
7 x 1	32 x 0.20	1.3	2.6 ± 0.1	20.0	11.7 ± 0.4	20	600/1000	3500	12 585 949
10 x 1	32 x 0.20	1.3	2.6 ± 0.1	20.0	13.6 ± 0.4	26	600/1000	3500	12 585 543
12 G 1	32 x 0.20	1.3	2.6 ± 0.1	20.0	13.9 ± 0.4	28.1	600/1000	3500	12 515 521
32 X 1	32 x 0.20	1.3	2.6 ± 0.1	20.0	21.6 ± 0.3	68	600/1000	3500	-
2 x 1.5	30 x 0.25	1.55	2.73 ± 0.1	13.7	7.8 ± 0.3	8.6	600/1000	3500	12 430 113
3 G 1.5	30 x 0.25	1.55	2.73 ± 0.1	13.7	8.3 ± 0.3	11.0	600/1000	3500	12 430 116
3 X 1.5	30 x 0.25	1.55	2.73 ± 0.1	13.7	8.3 ± 0.3	11.0	600/1000	3500	12 584 703
4 G 1.5	30 x 0.25	1.55	2.73 ± 0.1	13.7	9.2 ± 0.3	13.6	600/1000	3500	12 582 631
4 X 1.5	30 x 0.25	1.55	2.73 ± 0.1	13.7	9.2 ± 0.3	13.6	600/1000	3500	12 584 705
5 G 1.5	30 x 0.25	1.55	2.73 ± 0.1	13.7	10.4 ± 0.4	16.7	600/1000	3500	12 582 632
5 X 1.5	30 x 0.25	1.55	2.73 ± 0.1	13.7	10.4 ± 0.4	16.7	600/1000	3500	85 015 146
6 X 1.5	30 x 0.25	1.55	2.73 ± 0.1	13.7	11.1 ± 0.4	19.5	600/1000	3500	84 108 240
7 G 1.5	30 x 0.25	1.55	2.73 ± 0.1	13.7	12.3 ± 0.4	23.6	600/1000	3500	12 420 406
8 x 1.5	30 x 0.25	1.55	2.73 ± 0.1	13.7	13.6 ± 0.4	28.1	600/1000	3500	12 584 490
8 G 1.5	30 x 0.25	1.55	2.73 ± 0.1	13.7	13.6 ± 0.4	28.1	600/1000	3500	-
12 G 1.5	30 x 0.25	1.55	2.73 ± 0.1	13.7	14.5 ± 0.4	33.6	600/1000	3500	12 583 769
16 G 1.5	30 x 0.25	1.55	2.73 ± 0.1	13.7	16.4 ± 0.5	44.1	600/1000	3500	12 583 770
18 G 1.5	30 x 0.25	1.55	2.73 ± 0.1	13.7	17.5 ± 0.5	50	600/1000	3500	-
21 G 1.5	30 x 0.25	1.55	2.73 ± 0.1	13.7	19.8 ± 0.5	60	600/1000	3500	12 583 772
24 G 1.5	30 x 0.25	1.55	2.73 ± 0.1	13.7	20.4 ± 0.5	64	600/1000	3500	-
2 x 2.5	48 x 0.25	2.05	3.5 ± 0.1	8.21	9.1 ± 0.3	13.0	600/1000	3500	12 430 130
3 G 2.5	48 x 0.25	2.05	3.5 ± 0.1	8.21	10.1 ± 0.4	16.6	600/1000	3500	12 420 355
3 X 2.5	48 x 0.25	2.05	3.5 ± 0.1	8.21	10.1 ± 0.4	16.6	600/1000	3500	12 584 704
4 X 2.5	48 x 0.25	2.05	3.5 ± 0.1	8.21	11.4 ± 0.4	21.1	600/1000	3500	84 114 514
4 G 2.5	48 x 0.25	2.05	3.5 ± 0.1	8.21	11.4 ± 0.4	21.1	600/1000	3500	12 583 775
5 G 2.5	48 x 0.25	2.05	3.5 ± 0.1	8.21	12.4 ± 0.4	24.9	600/1000	3500	12 582 635
7 G 2.5	48 x 0.25	2.05	3.5 ± 0.1	8.21	15.3 ± 0.4	37.9	600/1000	3500	12 507 226
12 x 2.5	48 x 0.25	2.05	3.5 ± 0.1	8.21	18.1 ± 0.5	53.6	600/1000	3500	12 509 533
25 G 2.5	48 x 0.25	2.05	3.5 ± 0.1	8.21	25.5 ± 0.6	109.6	600/1000	3500	85 065 879



RADOX 125 S2

Multicore cables

Size n x mm ²	Conductor constr. n x mmØ	max.Ø mm	Core Ø mm	R ₂₀ max Ω / km	Cable Ø mm	Weight nom kg/100m	Nominal- voltage V	Test- voltage V	H+S Part-No.
2 x 4	56 x 0.30	2.6	4.15 ± 0.15	5.09	11.0 ± 0.4	18.8	600/1000	3500	12 559 207
3 x 4	56 x 0.30	2.6	4.15 ± 0.15	5.09	12.0 ± 0.4	24.3	600/1000	3500	-
3 G 4	56 x 0.30	2.6	4.15 ± 0.15	5.09	12.0 ± 0.4	24.3	600/1000	3500	12 532 495
4 G 4	56 x 0.30	2.6	4.15 ± 0.15	5.09	13.0 ± 0.4	29.7	600/1000	3500	12 582 668
4 x 4	56 x 0.30	2.6	4.15 ± 0.15	5.09	13.0 ± 0.4	29.7	600/1000	3500	-
6 x 4	56 x 0.30	2.6	4.15 ± 0.15	5.09	16.2 ± 0.5	44.4	600/1000	3500	84 130 437
12 x 4	56 x 0.30	2.6	4.15 ± 0.15	5.09	21.4 ± 0.5		600/1000	3500	-
2 x 6	81 x 0.30	3.4	4.95 ± 0.15	3.39	12.8 ± 0.4	26	600/1000	3500	-
3 x 6	81 x 0.30	3.4	4.95 ± 0.15	3.39	13.8 ± 0.4	32.6	600/1000	3500	-
4 G 6	81 x 0.30	3.4	4.95 ± 0.15	3.39	15.6 ± 0.5	41.8	600/1000	3500	12 584 594
5 G 6	81 x 0.30	3.4	4.95 ± 0.15	3.39	17.6 ± 0.5	52	600/1000	3500	12 584 613
7 x 6	81 x 0.30	3.4	4.95 ± 0.15	3.39	21.0 ± 0.5	74.9	600/1000	3500	84 094 238
7 G 6	81 x 0.30	3.4	4.95 ± 0.15	3.39	21.0 ± 0.5	77.1	600/1000	3500	85 065 736
2 X 10	78 x 0.40	4.4	6.15 ± 0.15	1.95	15.8 ± 0.5	41.7	600/1000	3500	84 113 061
4 G 10	78 x 0.40	4.4	6.15 ± 0.15	1.95	18.9 ± 0.5	68	600/1000	3500	12 584 289
5 G 16	119 x 0.4	5.4	7.35 ± 0.15	1.24	24.8 ± 0.5	121	600/1000	3500	-
3 X 16	119 x 0.4	5.4	7.35 ± 0.15	1.24	19.8 ± 0.5	76.1	600/1000	3500	85 076 596
2 X 25	182 x 0.4	6.7	8.9 ± 0.2	0.795	22.1 ± 0.5	83	600/1000	3500	85 005 805
3 X 25	182 x 0.4	6.7	8.9 ± 0.2	0.795	23.7 ± 0.6	104	600/1000	3500	-
4 X 25	182 x 0.4	6.7	8.9 ± 0.2	0.795	26.5 ± 0.6	142	600/1000	3500	12 585 404
4 G 25	182 x 0.4	6.7	8.9 ± 0.2	0.795	26.5 ± 0.6	142	600/1000	3500	-
5 X 25	182 x 0.4	6.7	8.9 ± 0.2	0.795	30.1 ± 0.6	183	600/1000	3500	85 064 380
6 X 25	182 x 0.4	6.7	8.9 ± 0.2	0.795	33.3 ± 0.6	214	600/1000	3500	84 130 438
3 X 35	266 x 0.4	7.9	10.3 ± 0.2	0.565	27.2 ± 0.6		600/1000	3500	-
4 X 35	266 x 0.4	7.9	10.3 ± 0.2	0.565	30.8 ± 0.6	194	600/1000	3500	-
3 X 50	378 x 0.4	9.4	12.1 ± 0.25	0.393	31.3 ± 0.6	211	600/1000	3500	-
4 X 50	378 x 0.4	9.4	12.1 ± 0.25	0.393	35.9 ± 0.6	272	600/1000	3500	-
3 X 70	348 x 0.5	11.6	14.4 ± 0.25	0.277	37.1 ± 0.7	289	600/1000	3500	-
4 X 70	348 x 0.5	11.6	14.4 ± 0.25	0.277	42.8 ± 0.7	381	600/1000	3500	-
3 X 95	444 x 0.5	13	16 ± 0.3	0.21	41 ± 0.7	366	600/1000	3500	-