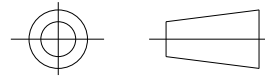


DRAWING No.  
152206

SHT. 1  
OF  
1 SHTS.

© THE COPYRIGHT OF THIS DRAWING IS RESERVED BY HELLERMANN TYTON. IT IS ISSUED ON CONDITION THAT IT IS NOT COPIED, REPRODUCED OR DISCLOSED TO A THIRD PARTY EITHER WHOLLY OR IN PART WITHOUT THE CONSENT IN WRITING OF HELLERMANN TYTON.

THIRD ANGLE PROJECTION

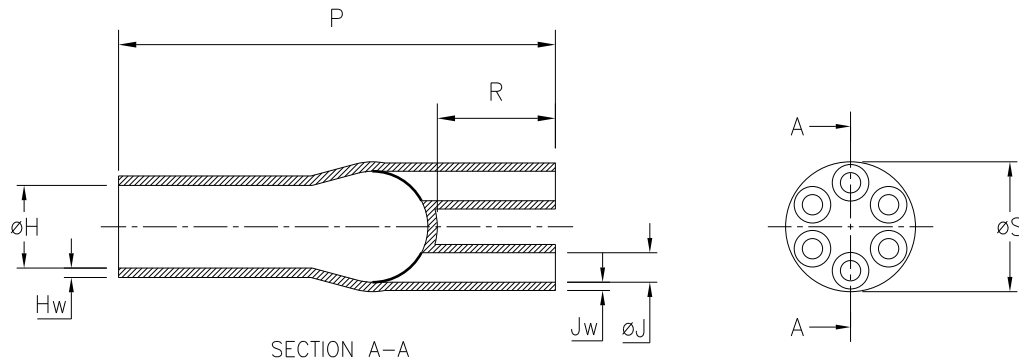


BS 8888

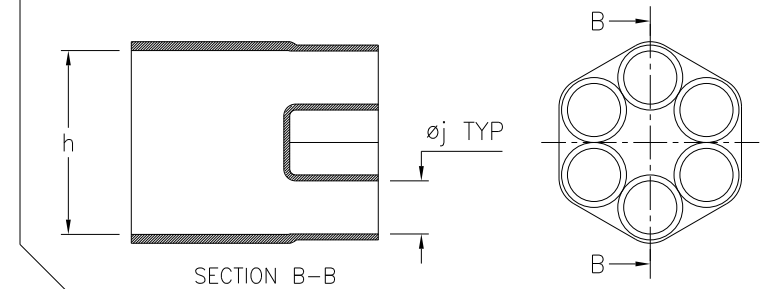
DO NOT SCALE  
IF IN DOUBT ASK

Q.A.	H/S SETT
H/S Q.A.	REL. INSP.
H/S PROD	EXT. ISS. CODE

STANDARD PART (AFTER UNRESTRICTED RECOVERY)



EXPANDED (AS SUPPLIED)



PART NO.	EXPANDED DIMENSIONS (AS SUPPLIED)		RECOVERED DIAMETERS			RECOVERED DIMENSIONS			
	h	øj	øH	øJ	øS	P	R	Hw	Jw
	MIN	MIN	MAX	MAX	NOM	±10%	±10%	±20%	±20%
609-1	30.0 (1.18)	8.2 (0.32)	16.0 (0.63)	4.0 (0.16)	25.0 (0.98)	75.0 (2.95)	20.0 (0.79)	2.5 (0.10)	1.5 (0.06)
609-2	40.0 (1.57)	12.0 (0.47)	16.0 (0.63)	4.0 (0.16)	25.0 (0.98)	75.0 (2.95)	20.0 (0.79)	2.5 (0.10)	1.5 (0.06)

**HellermannTyton**

William Prance Road,  
Plymouth International Med. & Tech. Park,  
Plymouth, PL6 5WR

Tel ++44 (0) 1752 701261  
Fax ++44 (0) 1752 790058

NAME

L.F.

SCALE

NTS

ADHESIVE

A3

SHT. 1

DATE

25/03/09

DIMS IN

mm  
(in)

ORIGINAL SHEET SIZE  
420mm x 297mm

OF  
1 SHTS.

TITLE

6 WAY OUTLET SLEEVE

PART No.

609

DRAWING No.

152206

1	P1267	L.F.	25/03/09
ISSUE	NOTE No.	DRAWN	DATE