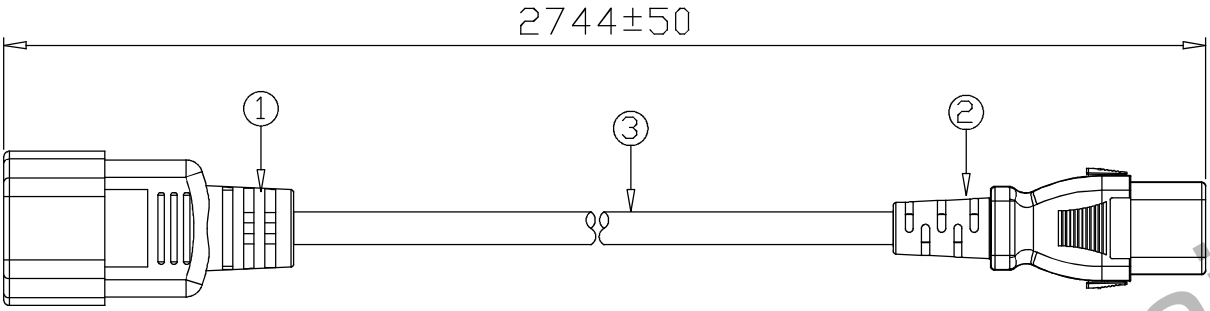


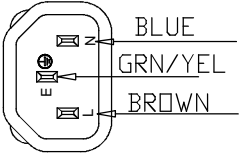
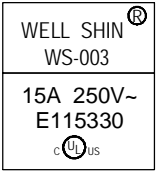
CUSTOMER: P/N: 6260.108AL REV. APPROVED BY:

REVISIONS		
REV.	DESCRIPTION	DATE
△		2014/11/14
△	UPDATES PRINTING HEAD, TAIL TO THE NEW STRUCTURE	2015/04/02
△		
△		
△		



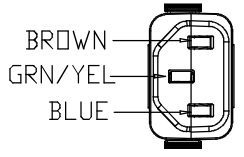
NOTES:  
1. RoHS

MARKING:

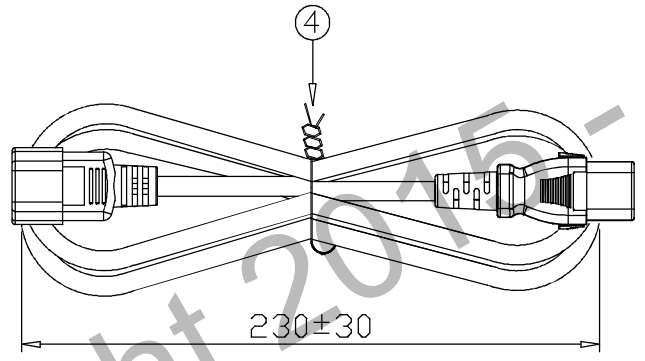


IEC-60320-C14


MARKING:



IEC-60320-C13  
AUTO LOCK



④	Cable tie	BLACK	1
③	SJTW 14AWG*3C 105°C APPROVAL : UL,CSA	BLACK	1
②	WS-002A-4A 15 (A) 250(V) APPROVAL : UL,C-UL	BLACK	1
①	WS-003 15 (A) 250(V) APPROVAL : UL,C-UL	BLACK	1
ITEM	DESCRIPTION	COLOR	Q'TY

SIGNATURE		 <b>QUAIL ELECTRONICS, INC.</b> <a href="http://www.quail.com">http://www.quail.com</a>		
ENGINEER BY:		PRODUCT NO.:	003+002A-4A	DATE: 2014/04/02
MANAGER BY:		UNIT:	mm	SHEET: 1 OF 1
CHECKED BY:		DWG NO.:	0096-4700	REV.
DRAWN BY:				