

MFG: C&M CORP
MFG PN1: 59953-INSP
MFG PN2: 59954-INSP
NAI PN1: A000629
NAI PN2: A000571
Rev: E
Eng: Bruce

已批准
Linson Zhang 04/27/2022, 1:21:30 pm

Software: Word

SOURCE CONTROL DOCUMENT FOR CUSTOM COMMERCIAL COMPONENT

Part Supplied Shall Meet All Requirements Specified In This Document

REVISION RECORD

REV	DESCRIPTION	DRAWN	CHECK	EE	ME	DATE
E	CHANGED TEMPLATE. UPDATED NOTE #2, DESCRIPTION FOR DASHES AND MFR NAME IN SPEC SHEET TO MATCH IPLM DETAILS	SEE LAM'S PLM SYSTEM AND INFO IN LEFT MARGIN				
D	UPDATED NOTE #2	VIG/ NMM	A.T	KEK		07/22/10
C		BL	FA			04/20/04

SPECIFIED MANUFACTURER NAME:

WINCHESTER INTERCONNECT

SPECIFIED MANUFACTURER PN:

SEE TABULATION

ALTERNATE MANUFACTURER NAME:

NO SUBSTITUTES

ALTERNATE MANUFACTURER PN:

NO SUBSTITUTES

Date: 3/28/2022
Other_By: ---
ME_By: ---
EE_By: DGARCI
Checked_By: SGAYAT
Drawn_By: MRAJAN
Release_Type: Rev
Current_Rev: E
Initial_Release: E1



TITLE (40 CHARACTERS MAX.)

CORD,4COND,3PH/SHLD,300V,XXAWG

TYPED IDENTIFICATION		DATE	DOCUMENT NO.	REV
DRAWN BY	M.J.M	02/12/97		681-098465-XXX
CHECK	S. SALKOW	02/12/97		
ELECT ENGR				
MECH ENGR	S. SALKOW	02/12/97	SIZE A	SHEET 1 OF 4

Lam Research Corp.
DDS-2005 Rev 14


CONFIDENTIAL
Limited Access and Use

Released document is on eDMS.
Printed copy is valid for this date only 4/11/2022.



TABULATION BLOCK		
DASH NO.	DESCRIPTION	MFG PN
-001	CA,4COND,L1/L2/L3/SHLD,300V,18AWG	59951-INSP
-002	CA,4COND,L1/L2/L3/SHLD,300V,16AWG	59952-INSP
-003	CA,4COND,L1/L2/L3/SHLD,300V,14AWG	59953-INSP
-004	CA,4COND,L1/L2/L3/SHLD,300V,12AWG	59954-INSP
-005	CA,4COND,L1/L2/L3/SHLD,300V,10AWG	59955-INSP

Date: 3/28/2022
 Other_By: ---
 ME_By: ---
 EE_By: DGARCI
 Checked_By: SGAYAT
 Drawn_By: MRAJAN
 Rev E
 Current_Rev E
 Initial_Release E1

 FREMONT, CA	DOCUMENT NO.	REV
	681-098465-XXX	E
	SIZE A	SHEET 2 OF 4

Lam Research Corp.
DDS-2005 Rev 14

CONFIDENTIAL
Limited Access and Use


Released document is on eDMS.
Printed copy is valid for this date only 4/11/2022.

SPECIFICATIONS:

1. CABLE IS UL LISTED & CSA APPROVED.
 2. PRINT OUTER JACKET PER UL/CSA INCLUDING:
"E42014 X/4 105°C 300V (UL) SJEOOW FT1 C(UL) SJE X/4 105°C 300V FT1" WHERE X IS WIRE SIZE.
 3. SHIELD IS 85-95% TIN COPPER WITH INNER ALUMINUM FOIL WRAP AND A #22 AWG TINNED PLATED COPPER DRAIN WIRE. SHIELD IS CONTINUOUS WITHOUT BREAKS THROUGHOUT THE ENTIRE SPOOL. OVERWEAVING OF THE SHIELD IS PERMITTED PROVIDED THE OUTER MAXIMUM DIAMETER IS NOT EXCEEDED.
INNER CONDUCTORS ARE TINNED PLATED, STRANDED COPPER, SIZE PER TABULATION (SEE SHT 2.)
COND1: COLOR IS BLACK. PRINTED L1 ON TWO OPPOSING SIDES EVERY INCH..
COND2: COLOR IS BLACK. PRINTED L2 ON TWO OPPOSING SIDES EVERY INCH..
COND4: COLOR IS BLACK. PRINTED L3 ON TWO OPPOSING SIDES EVERY INCH..
GROUND COND: COLOR IS GREEN WITH A YELLOW STRIP.
 4. OUTER JACKET: SJEOO-W RATED, COLOR BLACK. (O.D. SEE SHT 2)
 5. SUPPLIED IN ROLLS WITH CABLE BROUGHT OUT AT THE HUB A MINIMUM OF 8" ALLOWING FOR TEST.
 6. TESTING: CONDUCTOR TO CONDUCTOR FOR DIELECTRIC WITHSTAND: 1000 VAC -60 HZ 60 SEC. SHIELD-END TO SHIELD-END LESS THAN 10 OHMS PER 1000FT, CONDUCTOR-END TO CONDUCTOR END LESS THAN 7 OHMS/1000FT.
 7. A DIELECTRIC LAYER REQUIRED BETWEEN SHIELD AND INNER CONDUCTORS.
 8. INNER CONDUCTOR INSULATION IS CONSISTENT WITH 105°C SERVICE
 9. INSPECTION IS REQUIRED. CHECK THE FOLLOWING:
OUTSIDE DIAMETER PER DETAIL " A" (SHT 2 AND TABULATION TABLE)
LAM'S PART NUMBER & REVISION MARKED ON SPOOL
THE PRINTING AGREES WITH NOTE 2 ABOVE.,
THE LENGTH OF WIRE IS MARKED ON THE SPOOL.
 10. ALL DIMENSIONS ARE INCHES.
 11. STANDARD SPOOLS: 100, 250, 500, 1000, 5000 FEET.
- SJEOO-W, 3 PHASE, SHIELDED CORD, 300VOLT**



Date: 3/28/2022
 Other_By: ---
 ME_By: ---
 EE_By: DGARCI
 Checked_By: SGAYAT
 Drawn_By: MRAJAN
 Release_Type: Rev E
 Current_Rev: E
 Initial_Release: E1

 FREMONT, CA	DOCUMENT NO.	REV
	681-098465-XXX	E
SIZE A	SHEET 3 OF 4	

Lam Research Corp.
DDS-2005 Rev 14

CONFIDENTIAL
Limited Access and Use

Released document is on eDMS.
Printed copy is valid for this date only 4/11/2022.

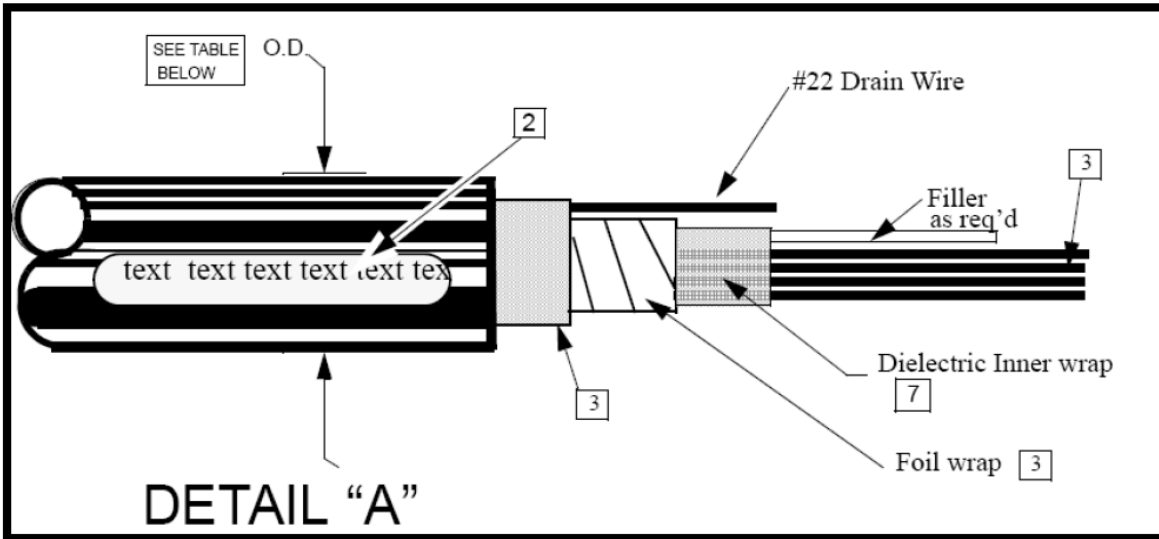


TABLE 1

TABULATION		OUTSIDE CABLE DIAMETER			JACKET	INSULATION
DASH	WIRE AWG	MIN	NOM	MAX	NOMINAL	WALL
001	18 AWG	0.355	0.370	0.395	0.040	0.031
002	16 AWG	0.385	0.410	0.430	0.040	0.031
003	14 AWG	0.425	0.440	0.470	0.040	0.031
004	12 AWG	0.500	0.515	0.555	0.053	0.031
005	10 AWG	0.660	0.685	0.735	0.065	0.048

SJEOO-WA,3 PHASE,SHIELDED CORD, 300VOLT

Date: 3/28/2022
 Other_By: ...
 ME_By: ...
 EE_By: DGARCI
 Checked_By: SGAYAT
 Drawn_By: MRAJAN
 Rev E
 Current_Rev E
 Initial_Release E1



FREMONT, CA

DOCUMENT NO.

681-098465-XXX

REV

E

SIZE A

SHEET 4 OF 4

Lam Research Corp.
 DDS-2005 Rev 14

CONFIDENTIAL
 Limited Access and Use

Released document is on eDMS.
 Printed copy is valid for this date only 4/11/2022.

