



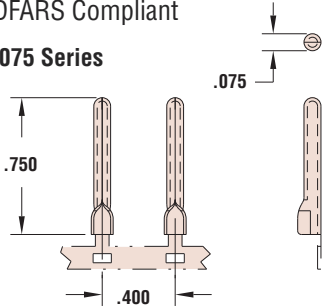
Now Available
in Single Reel
Order Quantities!

Heyco® Male Pins

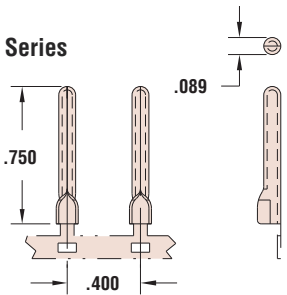
For mating Female Pin & Connectors, see pages 8-47 thru 8-49

- Wide range of diameter and length combinations for 20 to 10 AWG conductors.
- Folded Pin design saves material, **reduces cost.**
- Hole behind crimp provides added **strain relief**, or can be cut-off on Assembly Equipment.
- Conductor crimp ears only.
- Available only in continuous strip form, regular (left to right) wind.
- DFARS Compliant

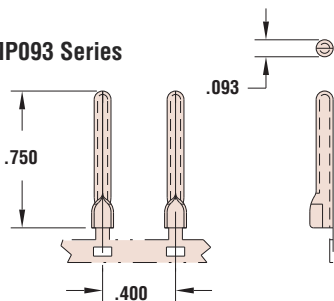
MP075 Series



MP089 Series



MP093 Series



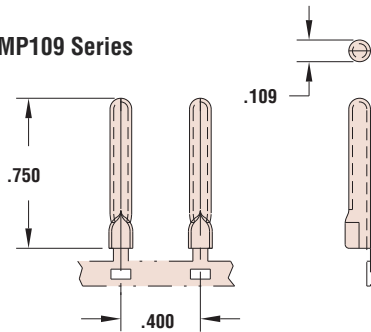
Dia. in.	PART DATA			PART NO.	APPLICATION TOOLING*					
	Overall Length in.	AWG Range	Material		Die**	Feeds	Tool Packs	Crimp Punch	Anvil	
MP075 Series										
.075	1.00	20-18	Brass	7010	7010UXX5	Left to Right	B300L/B301L	C229	C231	
MP089 Series										
.089	.75	20-18	Brass	7012	7012UXX5	Left to Right	B300L/B301L	C229	C231	
			Tin-Pl	7013	7013UXX5					
			Post-Silver	7011	7011UXX5					
MP093 Series										
.093	.63	20-18	Brass	7002	7002UXX5	Left to Right	B300L/B301L	C229	C231	
			Tin-Pl	7003	7003UXX5					
	.75	20-18	Brass	7000	7000UXX5					
			Tin-Pl	7001	7001UXX5					
1.00	20-18	Tin-Pl	7004	7004UXX5						
			7008	7008UXX5						
.75	16-14	Brass	7009	7009UXX5	Left to Right	B304L/B305L	C230	C232		
			Tin-Pl	7009	7009UXX5					
MP109 Series										
.109	.63	20-18	Brass	7032	7032UXX5	Left to Right	B300L/B301L	C229	C231	
			Tin-Pl	7033	7033UXX5					
	.75	20-18	Brass	7030	7030UXX5					
			Tin-Pl	7031	7031UXX5					
	1.00	20-18	Brass	7034	7034UXX5					
			Tin-Pl	7035	7035UXX5					
.63	16-14	Brass	7049	7049UXX5	Left to Right	B304L/B305L	C230	C232		
		Tin-Pl	7050	7050UXX5						
.75	16-14	Brass	7047	7047UXX5						
		Tin-Pl	7048	7048UXX5						
MP122 Series										
.122	1.00	16-14	Tin-Pl	7055	7055UXX5	Left to Right	B304L/B305L	C230	C232	

* Heyco high volume Application Tooling, designed for 3-5 ton presses - see page 8-59.

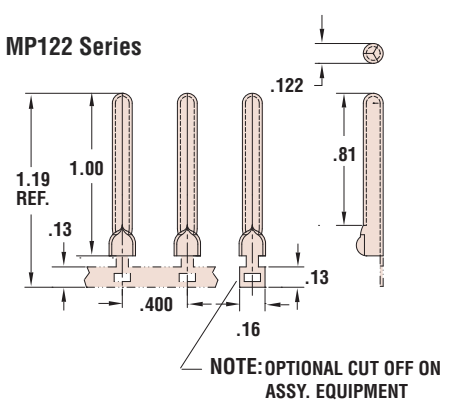
Heyco Mini Applicators, designed for 1.5-3 ton bench top presses, are available - see page 8-59.

** "XX" represents Wire Gauge. Please specify Wire Gauge when ordering.

MP109 Series



MP122 Series



Quick Specs

Materials

Alloy 260 Brass (70% Cu, 30% Zn. Higher Cu content resists dezincification)

Tin-Pl = Brass, Tin plated before or after stamping

Post-Ni = Brass, Nickel plated after stamping