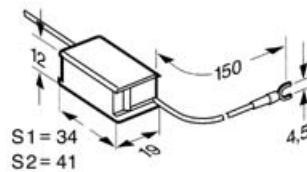


Identification	Type	LRC-S2-0414 AC 115-230 V
	Part-No.	700414

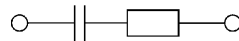
Technical data	
Function type	Suppressor for Switch Gear
Protection device	RC module
Rated voltage	AC 230 V
Rated voltage U_N	AC 230 V
Rated frequency	50–60 Hz
Holding Capacity	10 VA
Type of connecting lead	LIY 0.5 mm ²
Length of connecting lead (M)	0,15 M
Connecting lead	length 150 mm, cross section 0.5 mm ²

General	
Design	S2
Pottant	2-components
Housing material	Noryl
IP rating	IP 67
Field installation	Insert in the rail profile or attach with retaining clips to the connection wires. (Accessories)
Termination	Fork-type cable lug M4
Operation temperature range	0 °C–60 °C
Storage temperature range	-20 °C–80 °C
Dimensions (w × h × d)	41.0×19.0×12.0 mm
Weight (kg/piece)	0.014
PU	10

Dimensions



PIN assignment



26.07.2008 – Subject to technical modification

Part-No. 700414

USA: LUTZE INC.

13330 South Ridge Drive • Charlotte, NC 28273, USA

Tel. +1 (704) 504-0222 • Fax +1 (704) 504-0223

www.lutze.com • info@lutze.com

United Kingdom: LÜTZE Ltd.

Unit 3, Sandy Hill Park

Sandy Way, Amington • GB-Tamworth, Staffs B77 4DU

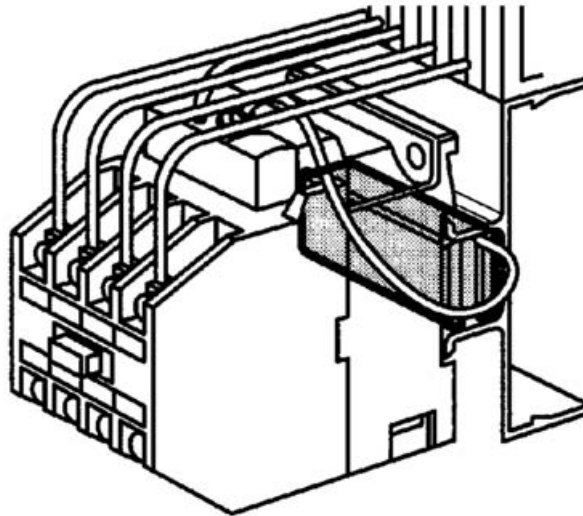
Tel. +44 (0)1827 31333-0 • Fax +44 (0)1827 31333-2

www.lutze.com • sales.gb@lutze.co.uk



Systematic Technology

Mounting diagram



Accessories

Accessories	Colour	Article number	Description
Retaining clip for type S1	700409	For the mounting to the con- nection wires	100
Retaining clip for type S2	700419	For the mounting to the con- nection wires	100

26.07.2008 – Subject to technical modification

Part-No. 700414

USA: LUTZE INC.

13330 South Ridge Drive • Charlotte, NC 28273, USA
Tel. +1 (704) 504-0222 • Fax +1 (704) 504-0223
www.lutze.com • info@lutze.com

United Kingdom: LÜTZE Ltd.

Unit 3, Sandy Hill Park
Sandy Way, Amington • GB-Tamworth, Staffs B77 4DU
Tel. +44 (0)1827 31333-0 • Fax +44 (0)1827 31333-2
www.lutze.com • sales.gb@lutze.co.uk