



Identification	Type	LRC-M1-0490 AC 3 x 500 V
	Part-No.	700490
Technical data		
Function type	Motor suppression	
Protection device	RC module	
Rated voltage	3 ACx500 V	
Rated frequency	50–60 Hz	
Motor performance	4 kW	
Type of connecting lead	H05V-K 1.0 mm ²	
Length of connecting lead (M)	0,22 M	
Suppression type	Motor connection delta	
General		
Design	M1	
Pottant	2-components	
Housing material	Noryl	
IP rating	IP 67	
Field installation	with mounting hole M4 or attachable to TS 35 (EN 50022) with 2 snap-on sockets each	
Termination	Fork-type cable lug M4	
Operation temperature range	-20 °C–60 °C	
Storage temperature range	-40 °C–90 °C	
Dimensions (w × h × d)	15.0×70.0×48.0 mm	

26.07.2008 – Subject to technical modification

Part-No. 700490

USA: LUTZE INC.

13330 South Ridge Drive • Charlotte, NC 28273, USA
 Tel. +1 (704) 504-0222 • Fax +1 (704) 504-0223
 www.lutze.com • info@lutze.com

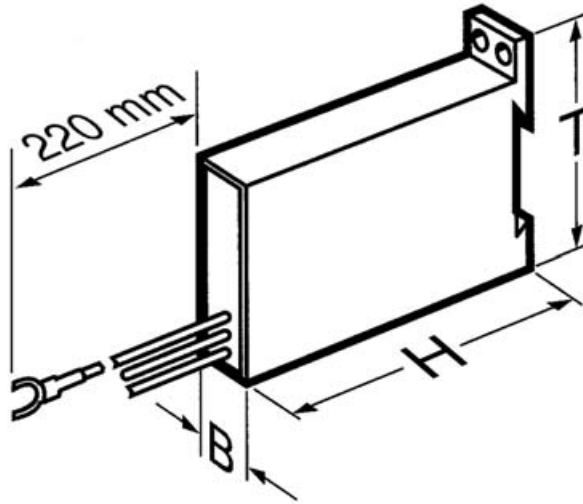
United Kingdom: LÜTZE Ltd.

Unit 3, Sandy Hill Park
 Sandy Way, Amington • GB-Tamworth, Staffs B77 4DU
 Tel. +44 (0)1827 31333-0 • Fax +44 (0)1827 31333-2
 www.lutze.com • sales.gb@lutze.co.uk

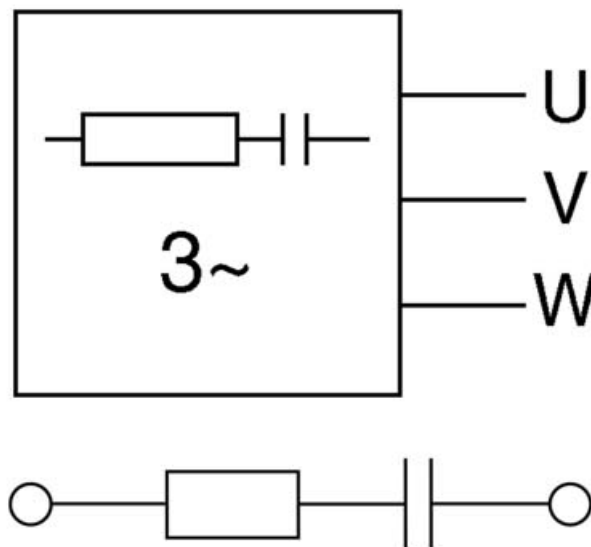
Technical data sheet • Suppression Technology

Weight (kg/piece) 0.066
PU 10

Dimensions



PIN assignment



Accessories

26.07.2008 – Subject to technical modification

Part-No. 700490

USA: LUTZE INC.

13330 South Ridge Drive • Charlotte, NC 28273, USA
Tel. +1 (704) 504-0222 • Fax +1 (704) 504-0223
www.lutze.com • info@lutze.com

United Kingdom: LÜTZE Ltd.

Unit 3, Sandy Hill Park
Sandy Way, Amington • GB-Tamworth, Staffs B77 4DU
Tel. +44 (0)1827 31333-0 • Fax +44 (0)1827 31333-2
www.lutze.com • sales.gb@lutze.co.uk

Accessories	Colour	Article number	Description
Snap-on socket for hat profile TS35	700499	Socket for attaching of the suppressor module to hat profile TS35 (EN 50022) or G-rails	10

26.07.2008 – Subject to technical modification

Part-No. 700490

USA: LUTZE INC.

13330 South Ridge Drive • Charlotte, NC 28273, USA

Tel. +1 (704) 504-0222 • Fax +1 (704) 504-0223

www.lutze.com • info@lutze.com

United Kingdom: LÜTZE Ltd.

Unit 3, Sandy Hill Park

Sandy Way, Amington • GB-Tamworth, Staffs B77 4DU

Tel. +44 (0)1827 31333-0 • Fax +44 (0)1827 31333-2

www.lutze.com • sales.gb@lutze.co.uk



Systematic Technology