



| | | |
|-----------------------|----------|--------------------------|
| Identification | Type | LV-RM2-1532 AC 3 x 400 V |
| | Part-No. | 701532 |

| | |
|-------------------------------|------------------------------------|
| Technical data | |
| Function type | Motor suppression |
| Protection device | varistor |
| Rated voltage | 3 ACx400 V |
| Shut-off points | ≤940 V |
| Rated frequency | 10–400 Hz |
| Motor performance | 15 kW |
| Type of connecting lead | H07V-K 1.5 mm ² , black |
| Length of connecting lead (M) | 0,15 M |
| Fittings | M32 x 1.5 |

| | |
|-----------------------------|----------------------------------------------------------|
| General | |
| Design | RM2 |
| Pottant | 2-components |
| Housing material | Noryl |
| IP rating | IP 67 |
| Field installation | Can be screwed in directly in the terminal housing (M32) |
| Termination | Ring terminal M6 |
| Operation temperature range | -20 °C–60 °C |
| Storage temperature range | -40 °C–90 °C |

26.07.2008 – Subject to technical modification

Part-No. 701532

USA: LUTZE INC.

13330 South Ridge Drive • Charlotte, NC 28273, USA
 Tel. +1 (704) 504-0222 • Fax +1 (704) 504-0223
 www.lutze.com • info@lutze.com

United Kingdom: LÜTZE Ltd.

Unit 3, Sandy Hill Park
 Sandy Way, Amington • GB-Tamworth, Staffs B77 4DU
 Tel. +44 (0)1827 31333-0 • Fax +44 (0)1827 31333-2
 www.lutze.com • sales.gb@lutze.co.uk

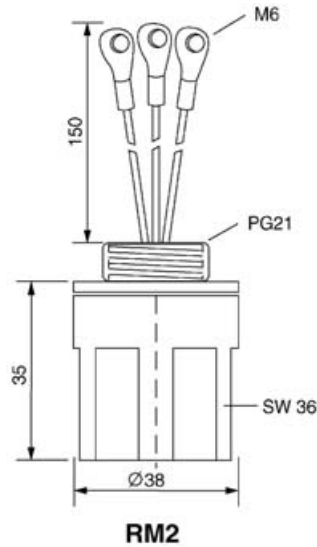


Systematic Technology

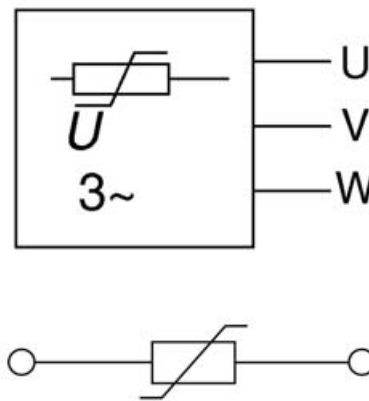
Technical data sheet • Suppression Technology

| | |
|------------------------|-------------------|
| Dimensions (w × h × d) | 38.0×45.5×36.0 mm |
| Weight (kg/piece) | 0.800 |
| PU | 10 |

Dimensions



PIN assignment



26.07.2008 – Subject to technical modification

Part-No. 701532

USA: LUTZE INC.

13330 South Ridge Drive • Charlotte, NC 28273, USA
Tel. +1 (704) 504-0222 • Fax +1 (704) 504-0223
www.lutze.com • info@lutze.com

United Kingdom: LÜTZE Ltd.

Unit 3, Sandy Hill Park
Sandy Way, Amington • GB-Tamworth, Staffs B77 4DU
Tel. +44 (0)1827 31333-0 • Fax +44 (0)1827 31333-2
www.lutze.com • sales.gb@lutze.co.uk