



<b>Identification</b>	Type	LV-RM2-1534 3 AC 575 V 7,5kW
	Part-No.	701534

<b>Technical data</b>	
Function type	Motor suppression
Protection device	varistor
Nominal voltage	3 ACx575 V
Shut-off points	≤1075 V
Rated frequency	10–400 Hz
Motor performance	7.5 kW
Type of connecting lead	H07V-K 1.5 mm <sup>2</sup> , black
Length of connecting lead (M)	0.15 M
Fittings	M32 x 1.5

<b>General</b>	
Form	RM2
Pottant	2-components
Housing material	PPO
Protection class	IP 67
Field installation	Screwed into terminal housing directly
Termination	Ring terminal M6
Operation temperature range	-20 °C – 60 °C
Storage temperature range	-40 °C – 90 °C

01.10.2012 – Subject to technical modification

Part-No. 701534

USA: LUTZE INC.

13330 South Ridge Drive • Charlotte, NC 28273, USA  
 Tel. +1 (704) 504-0222 • Fax +1 (704) 504-0223  
 www.lutze.com • info@lutze.com

United Kingdom: LÜTZE Ltd.

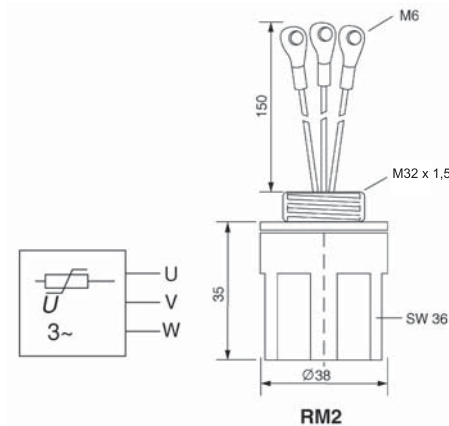
Unit 3, Sandy Hill Park  
 Sandy Way, Amington • GB-Tamworth, Staffs B77 4DU  
 Tel. +44 (0)1827 31333-0 • Fax +44 (0)1827 31333-2  
 www.lutze.com • sales.gb@lutze.co.uk



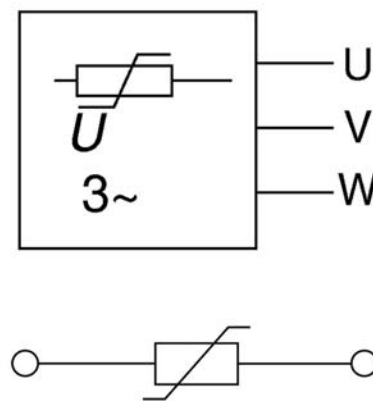
# Technical data sheet • Suppression Technology

Dimensions (w × h × d) 38.0×45.5×36.0 mm  
Weight (kg/piece) 0.075

## Dimensions



## PIN assignment



01.10.2012 – Subject to technical modification

Part-No. 701534

USA: LUTZE INC.

13330 South Ridge Drive • Charlotte, NC 28273, USA  
Tel. +1 (704) 504-0222 • Fax +1 (704) 504-0223  
www.lutze.com • info@lutze.com

United Kingdom: LÜTZE Ltd.

Unit 3, Sandy Hill Park  
Sandy Way, Amington • GB-Tamworth, Staffs B77 4DU  
Tel. +44 (0)1827 31333-0 • Fax +44 (0)1827 31333-2  
www.lutze.com • sales.gb@lutze.co.uk