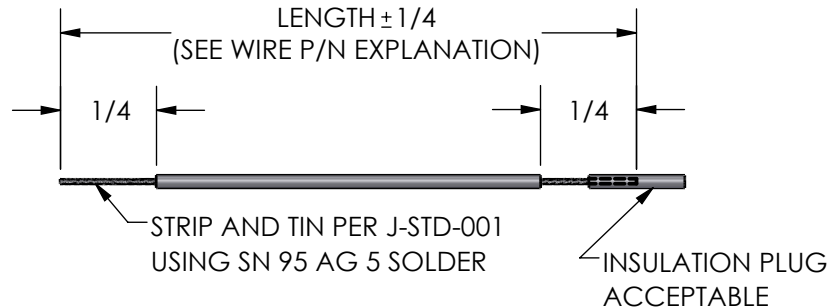


DASH NO.	COLOR	TRACER	DASH NO.	COLOR	TRACER	DASH NO.	COLOR	TRACER	DASH NO.	COLOR	TRACER	CHANGE HISTORY				
00	BLACK	---	30	ORANGE	BLACK	60	BLUE	BLACK	90	WHITE	BLACK	REV	DESCRIPTION	DATE	DRAWN	APPROVED
01	BLACK	BROWN	31	ORANGE	BROWN	61	BLUE	BROWN	91	WHITE	BROWN	A	RELEASE	7/23/99	KQ	DARB
02	BLACK	RED	32	ORANGE	RED	62	BLUE	RED	92	WHITE	RED	B	7990-3885	4/14/00	-	DARB
03	BLACK	ORANGE	33	ORANGE	---	63	BLUE	ORANGE	93	WHITE	ORANGE	C0	ECN 131-SSC	1/9/07	-	RFP
04	BLACK	YELLOW	34	ORANGE	YELLOW	64	BLUE	YELLOW	94	WHITE	YELLOW	D	ECN-23-213554	5/18/23	BD	EML
05	BLACK	GREEN	35	ORANGE	GREEN	65	BLUE	GREEN	95	WHITE	GREEN					
06	BLACK	BLUE	36	ORANGE	BLUE	66	BLUE	---	96	WHITE	BLUE					
07	BLACK	VIOLET	37	ORANGE	VIOLET	67	BLUE	VIOLET	97	WHITE	VIOLET					
08	BLACK	GREY	38	ORANGE	GREY	68	BLUE	GREY	98	WHITE	GREY					
09	BLACK	WHITE	39	ORANGE	WHITE	69	BLUE	WHITE	99	WHITE	---					
10	BROWN	BLACK	40	YELLOW	BLACK	70	VIOLET	BLACK								
11	BROWN	---	41	YELLOW	BROWN	71	VIOLET	BROWN								
12	BROWN	RED	42	YELLOW	RED	72	VIOLET	RED								
13	BROWN	ORANGE	43	YELLOW	ORANGE	73	VIOLET	ORANGE								
14	BROWN	YELLOW	44	YELLOW	---	74	VIOLET	YELLOW								
15	BROWN	GREEN	45	YELLOW	GREEN	75	VIOLET	GREEN								
16	BROWN	BLUE	46	YELLOW	BLUE	76	VIOLET	BLUE								
17	BROWN	VIOLET	47	YELLOW	VIOLET	77	VIOLET	---								
18	BROWN	GREY	48	YELLOW	GREY	78	VIOLET	GREY								
19	BROWN	WHITE	49	YELLOW	WHITE	79	VIOLET	WHITE								
20	RED	BLACK	50	GREEN	BLACK	80	GRAY	BLACK								
21	RED	BROWN	51	GREEN	BROWN	81	GRAY	BROWN								
22	RED	---	52	GREEN	RED	82	GRAY	RED								
23	RED	ORANGE	53	GREEN	ORANGE	83	GRAY	ORANGE								
24	RED	YELLOW	54	GREEN	YELLOW	84	GRAY	YELLOW								
25	RED	GREEN	55	GREEN	---	85	GRAY	GREEN								
26	RED	BLUE	56	GREEN	BLUE	86	GRAY	BLUE								
27	RED	VIOLET	57	GREEN	VIOLET	87	GRAY	VIOLET								
28	RED	GREY	58	GREEN	GREY	88	GRAY	---								
29	RED	WHITE	59	GREEN	WHITE	89	GRAY	WHITE								



**SPECIFICATIONS**

- 1.0 GENERAL
  - 1.1 24 AWG
  - 1.2 TEMP. RANGE: -65°C TO +200°C
  - 1.3 PER NEMA HP3 ETXBEB (SUPERSEDES MIL-W-16878/6)
- 2.0 CONDUCTORS
  - 2.1 STRANDING: 7 X 32
  - 2.2 CONDUCTOR O.D.: .026 (NOMINAL)

**EXPLANATION OF WIRE PART NO.**

**7040-5349-XXXX**

TE WIRE COLOR NUMBER

(SEE TABLE ABOVE)

EXAMPLE: -22 = RED

-00 = BLACK

TE WIRE LENGTH (IN INCHES)

EXAMPLE: 12 = 12 INCHES

06 = 6 INCHES

SP = SPOOL

**ETCHING REQUIREMENT:**

REMOVE 2 FEET MINIMUM FROM EACH END OF ORIGINAL WIRE AFTER ETCHING TO PREVENT ETCHANT FROM WICKING ONTO CONDUCTOR.

WIRE COLOR MAY BE DISCOLORED AFTER ETCHING PROCESS PER ARP-6167

**3.0 INSULATION**

- 3.1 TYPE: ETCHED, TEFLON TYPE ET PER NEMA HP3 ETXBEB
- 3.2 WALL THICKNESS: .007 REF.
- 3.3 FINISHED WIRE DIA: .040 MAX
- 3.4 VOLTAGE RATING: 250 VOLTS

<b>EAR CONTROL</b> TECHNICAL INFORMATION SUBJECT TO EXPORT ADMINISTRATION REGULATIONS (EAR). THIS TECHNICAL INFORMATION IS PROHIBITED FROM TRANSFER OR DISCLOSURE IN ANY MANNER TO NON-U.S. PERSONS IN THE UNITED STATES OR ABROAD WITHOUT PRIOR APPROVAL BY THE U.S. COMMERCE DEPARTMENT OR APPLICABLE EAR EXEMPTION.	DIMENSIONS ARE IN INCHES TOLERANCES ANGULAR ±2°	<table border="1"> <tr><th>NAME</th><th>DATE</th></tr> <tr><td>K. QUATTLEBAUM</td><td>7/21/99</td></tr> </table>	NAME	DATE	K. QUATTLEBAUM	7/21/99						
	NAME	DATE										
K. QUATTLEBAUM	7/21/99											
TWO PLACE DECIMAL ±.01 THREE PLACE DECIMAL ±.005 FOUR PLACE DECIMAL ±.0005	<table border="1"> <tr><th>DRAWN</th><td></td></tr> <tr><th>CHECKED</th><td></td></tr> <tr><th>ENG APPR.</th><td></td></tr> <tr><th>MFG APPR.</th><td></td></tr> <tr><td>Q.A.</td><td></td></tr> </table>	DRAWN		CHECKED		ENG APPR.		MFG APPR.		Q.A.		<b>WIRE, 24 AWG, NEMA HP3 ETXBEB</b>
DRAWN												
CHECKED												
ENG APPR.												
MFG APPR.												
Q.A.												
<b>PROPRIETARY AND CONFIDENTIAL</b> THE INFORMATION CONTAINED IN THIS DRAWING IS THE SOLE PROPERTY OF TE CONNECTIVITY. ANY REPRODUCTION IN PART OR AS A WHOLE WITHOUT THE WRITTEN PERMISSION OF TE CONNECTIVITY IS PROHIBITED.	MATERIAL NOTED FINISH NONE DO NOT SCALE DRAWING <b>Information in this box is for Engineering Reference Only</b>	<table border="1"> <tr><th>CAGE CODE</th><th>DWG. NO.</th></tr> <tr><td>5W885</td><td>7040-5349</td></tr> </table>	CAGE CODE	DWG. NO.	5W885	7040-5349						
CAGE CODE	DWG. NO.											
5W885	7040-5349											